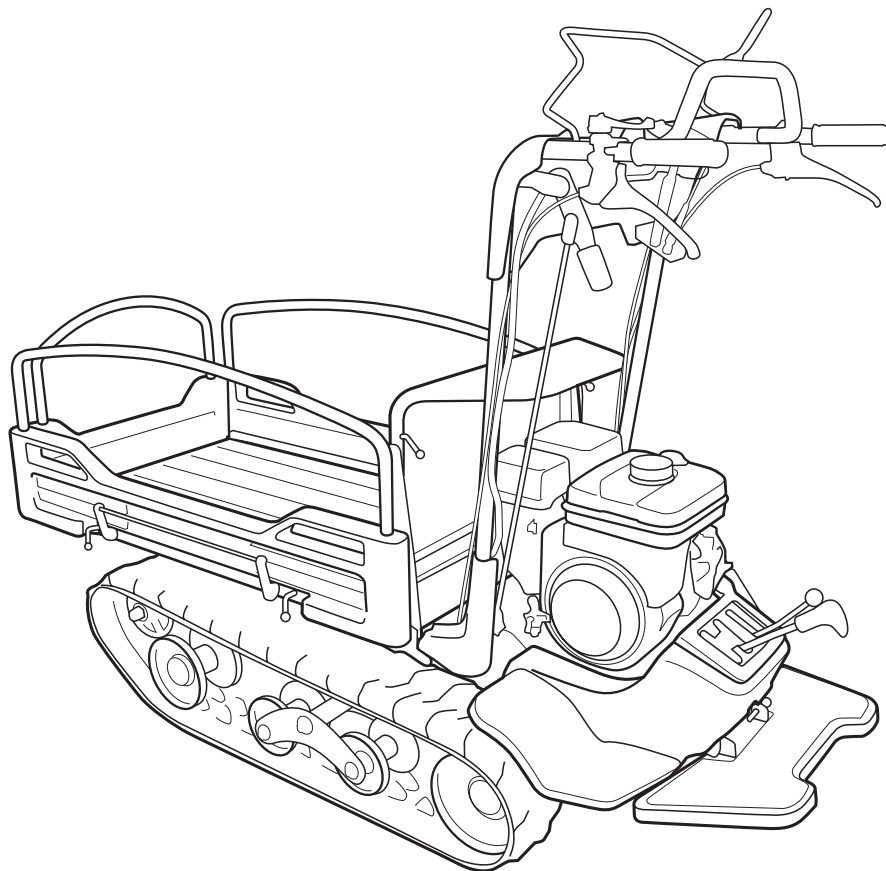


Off-road Rubber Track Carrier

BH41

Operator's Manual



⚠ WARNING!

Read this manual completely before operating or maintaining this machine. Failure to follow safety precautions could result in serious injury or death. Keep this manual for future reference by you and by all those who operate and maintain this machine.

3572 6102 000

Original Instructions (in English)

CHIKUSUI CANYCOM, INC.

<http://www.canycom.co.jp/>

CHIKUSUI CANYCOM, INC.

90-1 Fukumasu, Yoshii-machi,

Ukiha-shi, Fukuoka, Japan 839-1396

Sales Headquarters (International) TEL +81-(0)943-75-2195

FAX +81-(0)943-75-4396

Authorized Dealer

Notice to Users and Maintenance Personnel

Thank you for purchasing this machine.

This manual provides information needed for safe and effective use of this machine to those who operate or maintain the machine. Make sure to read and understand the manual thoroughly before operating this product. Also make sure to read the separate operator's manual for the engine.

⚠ WARNING!

- **This machine can be very dangerous if the safety precautions in this manual and on the labels attached to this machine are not followed. Read and understand this manual and the safety labels on the machine thoroughly before using this machine. Always follow the instructions and safety precautions, or serious injury or death could result.**
- **This machine should only be used for its intended purpose: hauling and dumping. Any other use could be dangerous.**
- **This machine may not be operated on public road or what is considered to be public road. It is the sole responsibility of the operator to consult the local regulations.**
- **Do not modify this machine, or do not operate this machine with the safety covers removed or open. A serious accident could result.**

⚠ CAUTION!

- **Store this manual in a safe, accessible place for easy reference.**
-




Notice to Owner

CAUTION!

- Be sure that everyone who uses this machine, including those who rent or lease this machine, receives a copy of this Operator's Manual and understands the importance of reading and following the information in this manual.

Warning Terms Used in this Manual

In this manual, the following four warning terms are used to signal the four levels of hazard (or seriousness of possible accidents). Read and understand what they mean and always follow the instructions in this manual.

Warning Term	Definition
 DANGER!	Indicates an imminently hazardous situation which will result in death or serious injury if the user does not follow the procedures or the instructions.
 WARNING!	Indicates a potentially hazardous situation which could result in death or serious injury if the user does not follow the procedures or the instructions.
 CAUTION!	Indicates a potentially hazardous situation which could result in minor to moderate injury or damage to the machine if the user does not follow the procedures or the instructions.
<u>NOTE</u>	Indicates important information which needs particular attention.

Warranty and After-Sales Service

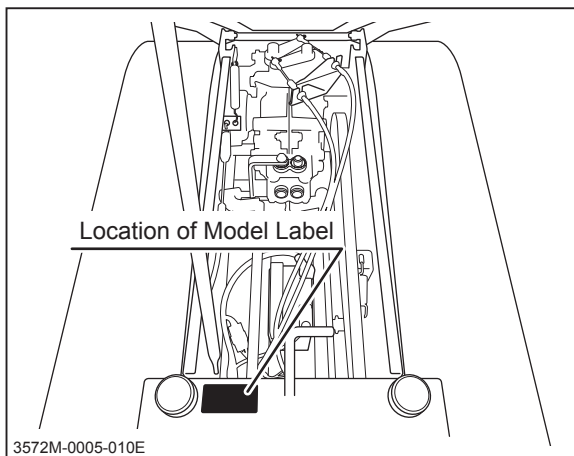
Warranty

Chikusui Canycom, Inc. provides a warranty through your local Canycom dealer. A copy of this warranty is attached to the back of this manual.

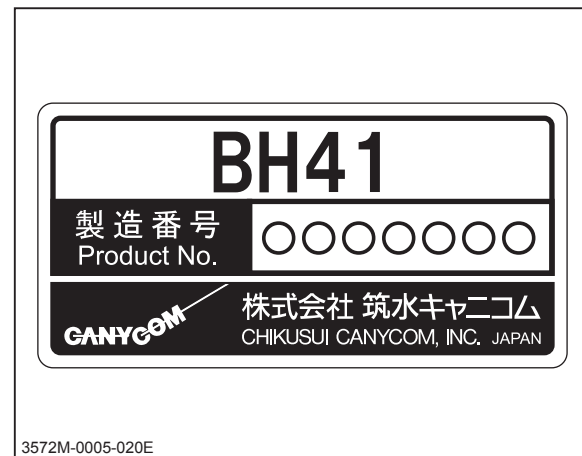
After-Sales Service

Consult your local Canycom dealer or our company's sales department regarding service orders or any questions or problems that may arise when using this machine. Please make sure to have the product name, serial number, and the make and type of the engine handy at the time of contact. The model and serial number can be found on the model label as shown below, and the make and type of the engine can be found in Chapter 3 "**Specifications**" of this manual (Page11).

Location of Model Label



Model Label



Availability of Spare Parts

The replacement or repair parts for this product shall remain available for seven years after the production of this type of machine is discontinued.

Contents

1. Safety 1

Safety Labels 1

Safety Precautions 2

 Training 2

 Preparation 3

 Operation 3

 Servicing 8

2. Controls and Components 9

Name and Function of Controls 9

3. Specifications 11

Product Specifications 11

Contents of the Tool Bag 12

4. Operation 13

Preparation 13

 Pre-start up Inspection 13

 Checking and Filling Fuel 13

 Adjusting Handle Lever Angle 14

Driving 15

 Starting 15

 Driving 19

 Stopping 22

Shifting	23
Parking	24
Working	26
Dumping	26
Using Safety Prop	27
Using Slide Frame (Slide Frame Model)	28
Using Side Gate (Three-way Folding Gate Model)	29

5. Maintenance 30

Maintenance Schedule	30
List of Fluids and Lubricants	34
List of Consumables and Spares	34
Removing and Installing Body Panels	35
Fender	36
Engine	36
Engine Oil	36
Air Cleaner	38
Spark Plug	38
Fuel Filter	39
Drive Train	40
Track	40
Transmission Oil	41
Drive Belt	42
Parking Brake	43
Side Clutch	45
Loading Deck	45
Adjusting Slide Frame (Slide Frame Model)	45

Electrical	46
Battery (Electric Start Model)	46
Fuse (Electric Start Model)	47
After Use Care	48
After Normal Use	48
After Cold Weather Use	48
Storage	49

6. Troubleshooting **50**

Troubleshooting	50
---------------------------	----

7. Transporting **54**

Hauling	54
Loading and Unloading	54

Warranty

Warranty Certificate is attached at the end of this manual.

* Have the warranty certificate signed and sealed after you have received and fully understood the instructions for handling this machine and received the receipt.

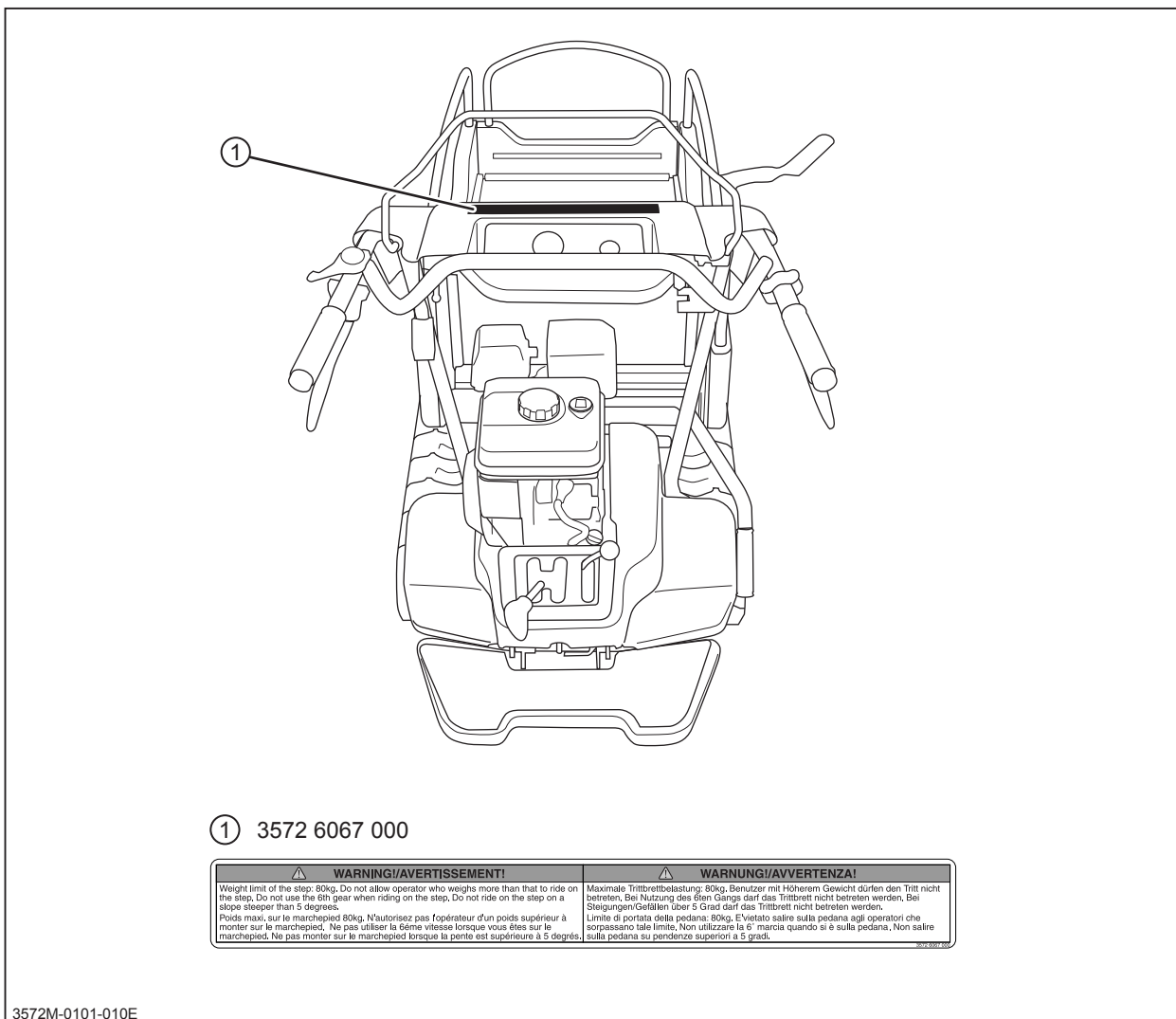
Appendix

- Operator's Manual for the Engine
 - * Be sure to read and understand it together with this manual .
-

Safety Labels

The safety labels shown below are attached to the machine. See the illustration below for the location and the content of each label on the machine.

- **Locate all the warning labels attached to this machine. Read and follow the instructions and precautions in them. Failure to do so could result in serious injury or death to the operator or bystanders.**
- **Keep the labels clean and legible. Do not use solvents or gasoline to clean the labels.**
- **Replace these labels immediately if they have been removed, have fallen off or become illegible. Use the part number, on the label or shown in this manual, to order a replacement label from your CANYCOM representative.**



Safety Precautions

This section contains safety precautions to follow when operating and maintaining the machine. Read and understand the precautions in this section as well as throughout this manual and follow them when operating or maintaining the machine. Failure to follow safety precautions could result in property damage, serious injury or death to the operator or bystanders.

Training

All operators should be familiar with the following issues when using this machine. In case the machine is used by a hired worker or is rented, the employer or renter shall give practical instructions covering the following issues to the user.

- **It is essential to familiarize yourself with the controls, the safety labels and the proper use of the machine.**
- **Never allow people unfamiliar with these instructions to operate or service the machine. Do not let anyone under 18 years of age to operate this machine. Local regulations may restrict the minimum age for operating a machine. Consult your local authority.**
- **This machine is intended to carry only one operator on the step. Do not carry a passenger other than the operator.**
- **The operator is responsible for the accidents or hazards caused to other people or their property.**
- **Always keep in mind that care and concentration is required when working with a load-carrying machine.**
- **Loss of control on a slope cannot be regained by the application of the brake. The main reasons for loss of control are:**
 - **insufficient grip of tracks.**
 - **excessive speed.**
 - **misjudging of the ground conditions, especially inclination.**
 - **excessive load.**
 - **incorrect distribution of load.**

Preparation

- **Fuel is highly flammable. See Checking and Filling Fuel, page 13, for important safety information on handling fuel.**
- **Always wear protective footwear, long trousers, hardhat, safety glasses and ear protection when operating or servicing the machine. Proper clothing will minimize the chance of injury. Do not operate the equipment if you have long hair, loose clothing, or jewelry; all of which can get tangled in moving parts. Do not operate the machine barefoot or with open sandals.**
- **Prepare beforehand the working rules and procedures such as signaling and traffic control for the work place. Following such rules will reduce the risk of accidents.**
- **Never handle fuel, oil or grease, service the engine, or recharge the battery in the presence of fire or spark.**
- **Perform the daily pre-startup inspection (see Preparation, page 13) before starting the machine. Repair or replace damaged parts before starting the machine.**

Operation

This machine is intended for carrying grains, produce, dirt and similar materials. Carrying other objects may damage the machine. Avoid carrying liquid concrete. That will damage the machine.

The stability of the machine is affected by speed, rate of steering, terrain and load. Always pay close attention to these factors or loss of control or tip over could occur, resulting in property damage, serious injury or death.

General Driving

- **Do not operate the engine in a confined space where dangerous carbon monoxide fumes can accumulate.**
- **Do not touch the engine, muffler or exhaust pipe while the engine is running or soon after it has stopped. These areas will be very hot and can cause burns.**

- Do not operate the machine under the influence of alcohol or drugs. Do not operate the machine when you are tired, ill, or not feeling well.
- Always check for obstacles before operating on new terrain.
- Before starting the engine and moving the machine, scan around your surroundings and make sure all persons and other vehicles are a safe distance away from the machine.
- On a slippery surface, travel slowly and exercise caution to reduce the chance of skidding or sliding out of control. Never operate on ice.
- Always make certain that there is no obstacle or person behind the machine when backing up. After confirming that it is safe to back up, move slowly and avoid sharp turns.
- To reduce the risk of tip over, pay special attention when encountering an obstacle or a slope, or when braking on a slope or during a turn. See *Driving on the Slope* on the next page.
- Never attempt to drive over a large obstacle such as rock or fallen tree.
- Always travel slowly and use extra caution when operating on unfamiliar terrain. Be alert when traveling on changing terrain.
- Never operate on terrain that you are not comfortable with. Avoid terrain that is so rough, slippery or loose that you feel like you could tip over.
- Do not operate the machine near the edge of a cliff, an overhang or a landslide area.
- Do not make sudden maneuvers. Sudden start, stop, or turn can make the machine lose control and could cause tip over. Be especially cautious when traveling on soft or wet ground.
- Drive at a safe speed, taking into account the surface gradient, surface conditions and load.

- Use an observer to help direct the machine when the visibility is poor, terrain is rugged or hilly, or maneuvering room is limited. The observer should be able to see the machine and its immediate surroundings, and should give pre-arranged signals to direct the operator.

Riding the Machine

- This machine is intended to carry only one operator on the step. Do not ride anywhere other than the step. Do not carry a passenger other than the operator.
- Observe weight limit of the step: 80kg. Do not let anyone over the limit to ride on the step.
- Always set the handle lever in the highest position when riding. Riding with the handle lever in other positions may result in loss of balance.
- Always hold the handle grips with both hands to keep a posture when riding the machine. Avoid sudden maneuvers. Operator can be thrown off the machine or the machine can tip over.
- Pay attention to the weight distribution of the machine when riding. Weight shifts to the back of the machine when there is no load. Loss of balance may result.
- Never ride the machine on the slope. The operator can be thrown off or the machine can tip over.
- Never use the 6th gear when riding. The operator can be thrown off or the machine can tip over.

Driving on the Slope

- Driving on the slope can be dangerous. It can result in tip over and cause serious injury or death. Always follow proper procedures for driving on the slope as described in this manual.
- When carrying no load, never use the machine on the slope steeper than 25 degrees. When carrying a load, never use the machine on the slope steeper than 20 degrees.
- Driving on the slope in a wrong manner can cause a loss of control or a vehicle tip over. Check the terrain carefully before attempting to drive on the slope.

- Never drive on a slope that you are not comfortable with. Avoid a slope that is so rough, slippery, or loose that you feel like you could tip over.
- When driving up a slope, proceed at a steady rate of speed and throttle position.
- Never move the throttle lever or operate the side clutch suddenly.
- Drive straight up or down the slope. Avoid turning on the slope.
- If the engine stalls or loses traction during a climb and cannot make it to the top of the slope, do not try to turn the machine around. Carefully back down slowly, straight down the slope.
- When going over the top of a slope, go slow; an obstacle, a sharp drop, or another vehicle or person could be on the other side of the crest.
- Avoid driving the machine across the slope.
- Without a load, drive the machine backwards up the slope (operator's step toward the top) when climbing, and drive it forward when going down the slope. Never operate on the slope steeper than 25 degrees.
- With a load, drive the machine forward up the slope (operator's step away from the top) when climbing, and drive it backwards when going down the slope. Be especially cautious when operating on the slope with a load.
- When driving down the slope, stop and shift to one of the first three gears (auxiliary transmission in Low). Go down at a reduced speed. Use the engine speed to help keep the machine speed low.

Loading and Driving with the Load

- The maximum payload for this machine is 400kg in the walk-behind mode and 300kg when being ridden. Do not exceed this maximum payload under any circumstance.
- Do not operate on the slope steeper than 20 degrees when carrying a load. Do not carry more than 200kg when operating on the slope between 15 and 20 degrees.

- Place the load in the loading deck so that the weight is evenly distributed. When carrying a load, strap it to the loading deck to prevent it from shifting. Ensure that the load does not obstruct the operator's field of view.
- When carrying a load, drive at a reduced speed. Allow greater distance for braking.
- Before crossing a bridge or an overpass, make certain that the total combined weight of the machine, the load and the operator is within the stated weight limit of the bridge or the overpass. Then, proceed carefully and at a constant speed.

Dumping

When dumping material from the loading deck, take the following precautions.

- Always follow the proper procedures for dumping as described in this manual.
- Perform the dump operation on a flat, level and stable surface whenever possible. Raising or lowering the loading deck on the slope or on the rough terrain could result in tip over.
- Make certain that all persons are at a safe distance away from the machine when raising or lowering the loading deck.
- Do not move the machine or leave it unattended with the loading deck in the raised position.
- Engage the loading deck safety prop if you must place any part of your body under the loading deck in the raised position.

Parking

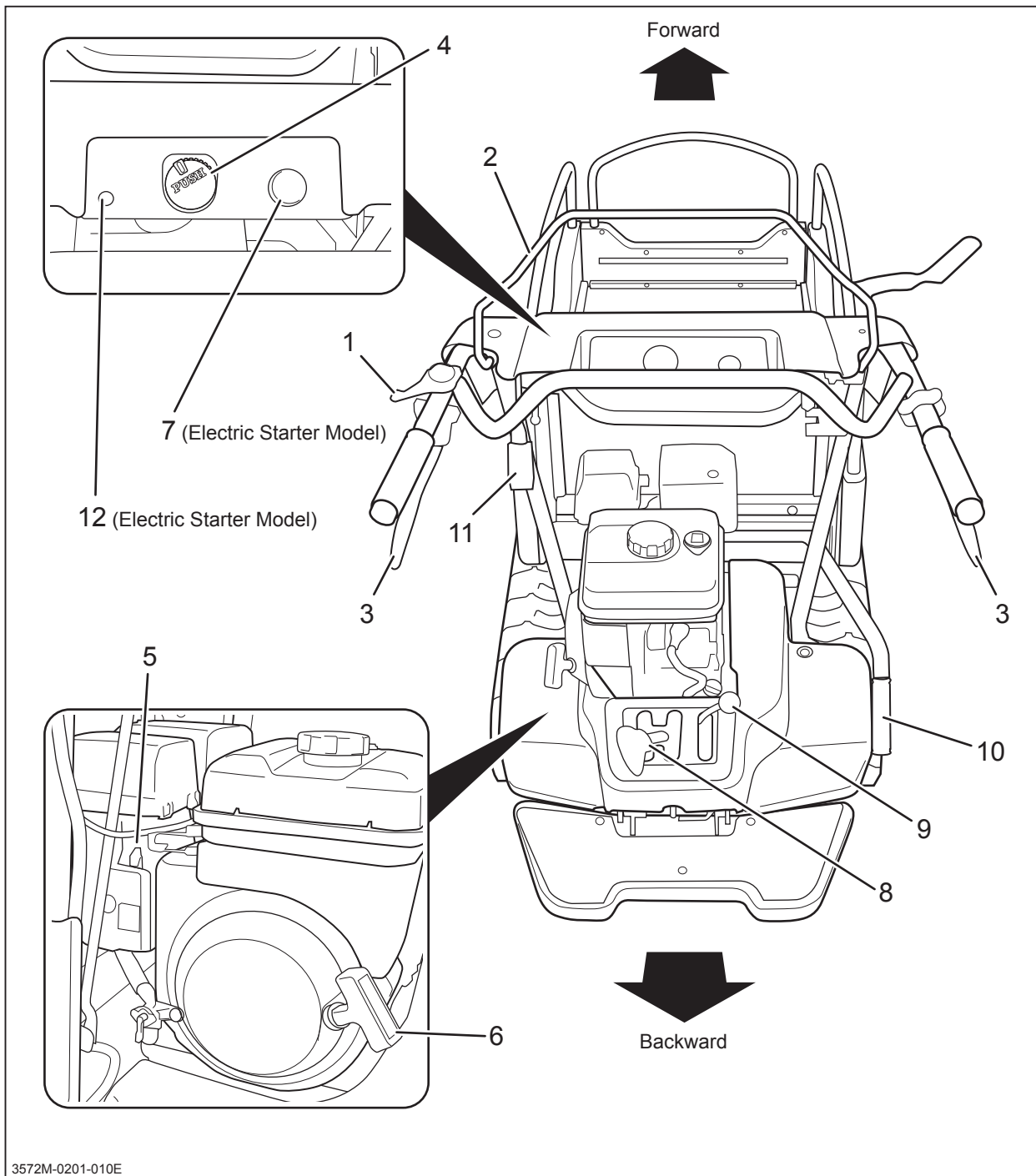
- Park the machine on a flat, level and stable surface. Never park the machine on a slope steeper than 15 degrees. Avoid parking on a slope less than 15 degrees. If parking on a slope less than 15 degrees is unavoidable, block the tracks at the lower end of the machine.
 - Without a load, park the machine with the operator's step toward the uphill
 - With a load, park the machine with the operator's step toward the downhill
 - Do not park sideways on the slope.

- Observe all the previous precautions for general driving, riding the machine, driving on the slope, loading and driving with the load, and dumping.
- Whenever you park the machine, disengage the clutch and stop the engine.
- Gasoline is highly flammable and can be explosive. When parking the machine indoors, make certain that the building is well ventilated and that the machine is not close to any source of flame or spark, including appliances with pilot lights.

Servicing

- Do not service the machine when the engine is running. If it is absolutely necessary to run the engine while servicing, keep hands, feet, clothing and any part of the body away from any moving part, especially the belts at the side of the engine.
- Do not operate the engine in the confined space where dangerous carbon monoxide fumes can accumulate.
- Check all fuel lines on a regular basis for tightness and wear. Tighten or repair them as needed.
- Do not touch the engine, muffler, or exhaust pipe while the engine is running or soon after it has stopped. These areas will be very hot and can cause burns.
- The engine must be shut off before checking or adding oil.

Name and Function of Controls



- 1 Throttle Lever** Throttle Lever is used to control the engine speed.
- 2 Clutch Lever** Clutch Lever is used to engage or disengage drive clutch.
- 3 Side Clutch Lever** Side Clutch Lever is used to steer the machine by engaging side clutch.

2

Controls and Components

- 4 **Main Switch** Main Switch is used to start or stop the engine.
- 5 **Choke Lever** Choke Lever is used to help start the engine by closing choke valve.
- 6 **Starter Handle** Starter Handle is used to start the engine.
- 7 **Starter Button**. Starter Button is used to start the engine (Electric start model only).
- 8 **Shift Lever** Shift Lever is used to shift gears.
- 9 **Auxiliary Transmission Shift Lever** . . . Auxiliary Transmission Shift Lever is used to select the fast or slow driving mode.
- 10 **Dump Lever** Dump Lever is used to raise or lower loading deck for dumping.
- 11 **Handle Lever Adjuster**. Handle Lever Adjuster is used to adjust the angle of Handle Lever. Raising handle lever adjuster unlocks handle lever.
- 12 **Backing up Warning Lamp** Backing up Warning Lamp lights up when shift lever is in reverse.

Product Specifications

⚠ CAUTION!

· Use this product properly after understanding its specifications thoroughly.

Model and Type		BH41				
		Slide Frame	Three-way Folding Gate	Scoop Bucket		
Machine Mass	kg	195 [180]	210 [195]	210 [195]		
Maximum Payload	kN (kg)	3.92 (400) / 2.94(300) when riding				
Dimensions	Overall Length	mm	1705 {1875}	1800 {1970}	1790 {1960}	
	Overall Width	mm	675	830	725	
	Overall Height	mm	1260			
	Track Contact Length	mm	740			
	Track Gauge	mm	495			
	Ground Clearance	mm	90			
	Loading Deck Height	mm	370	385	385	
Loading Deck	Type		Slide Frame	Three-way Folding Gate	Scoop Bucket	
	Inside Dimensions	Length	mm	950 <1110>	1050	1100
		Width	mm	520 <900>	745	685
		Height	mm	150	200	200
	Dumping System		Manual			
Dumping Angle	degrees	50	55	90		
Engine	Model		Mitsubishi GB130			
	Type		Air-cooled 4-cycle gasoline, single cylinder			
	Cylinder (Bore×Stroke)	mm	62×42			
	Displacement	cm ³ (cc)	126 (126)			
	Rated Output	kw/min ⁻¹ (PS/rpm)	3.0 (4.2)/2000			
	Maximum Torque	N•m(kgm)/rpm	15.3 (1.56)/1400			
	Starter System		Electric [Recoil]			
	Fuel		Automotive Unleaded Gasoline			
	Fuel Consumption	g/kW•h(g/PS•h)	313 (230)			
	Fuel Tank Capacity	Liters	2.5			
	Oil Capacity	Liters	0.5			
	Ignition System		Electronic			
Spark Plug		NGK BP6HS				

Model and Type			BH41		
			Slide Frame	Three-way Folding Gate	Scoop Bucket
Electrical	Battery Type		YTX5L-BS-GY1C [-]		
	Voltage		V	12 [-]	
	Battery Capacity, 10hr rate		Ah	4 [-]	
Performance	Speed	Forward 1st	km/h	0.4	
		Forward 2nd	km/h	0.7	
		Forward 3rd	km/h	1.2	
		Forward 4th	km/h	1.6	
		Forward 5th	km/h	2.7	
		Forward 6th	km/h	4.4	
		Reverse 1st	km/h	0.6	
		Reverse 2nd	km/h	2.1	
	Minimum Turning Radius		m	1.2	
	Gradeability		Degrees	25 (unloaded)	
Drivetrain	Clutch		Belt Tension		
	Main Transmission		Gear Slide		
	Auxiliary Transmission		Gear Slide		
	Steering Mechanism		Dog Clutch		
	Brake		Internally Expanding		
	Track Size		180X32X72		
	Transmission Oil Capacity		Liters	1.5	

{ } indicates when handle lever is in the walk-behind (lowest) position.

< > indicates when slide frames are extended.

[] indicates the recoil start model.

*These specifications are subject to change without notice.

Contents of the Tool Bag

No.	Content	Quantity	Note
1	Operator's Manual	1	This Manual
2	Operator's Manual for the Engine	1	
3	Engine Service Tool	1	for Servicing the Engine

Preparation

Pre-start up Inspection

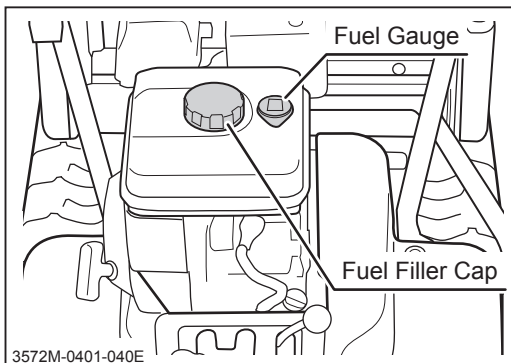
Always perform an inspection before use.

Refer to "**Maintenance Schedule**" (page 30) for the inspection schedule and procedure.

Checking and Filling Fuel

⚠ WARNING!

- Keep fire and spark away when handling fuel.
- Always stop the engine before refueling.
- Keep the fuel level below the bottom of the fuel filter inside the fuel filler. Do not overfill fuel so that fuel will not overflow. In case fuel is spilt, wipe out immediately.



1. Check fuel gauge. If fuel level is low, fill fuel.
2. Open fuel filler cap and fill fuel.
3. Close fuel filler cap securely.

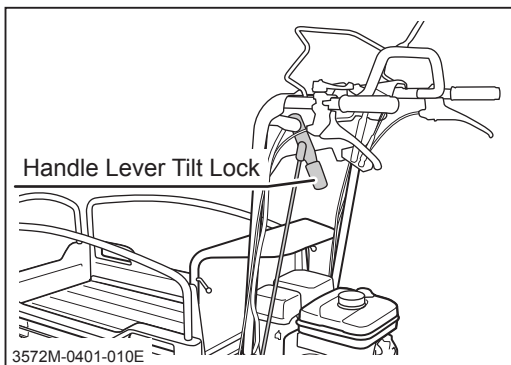
NOTE

- Fuel: Automotive unleaded gasoline
- Fuel Capacity: 2.5L

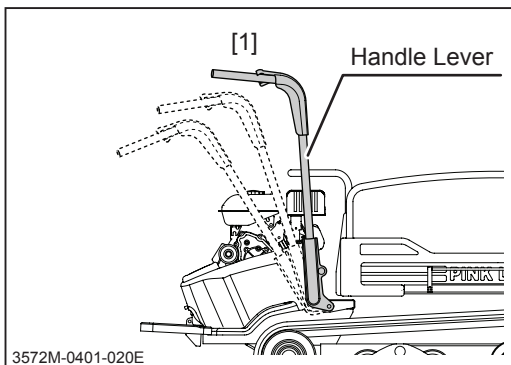
Adjusting Handle Lever Angle

⚠ CAUTION!

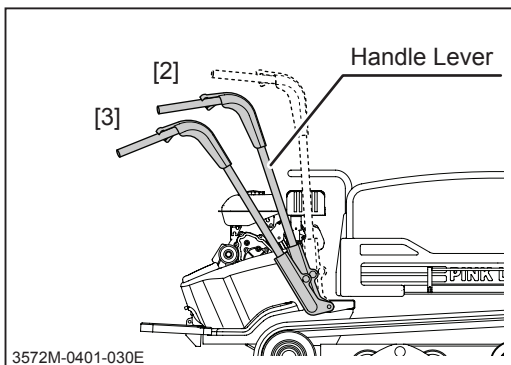
- Pinch hazard. Make certain that hands or fingers are not in the way to be caught when adjusting handle lever.
- Make certain handle lever is securely locked after adjustment. Move handle lever back and forth to see if it is locked.



1. Move up handle lever tilt lock to unlock handle lever. Move handle lever to a desired position.
2. Once handle lever is in the desired position, release handle lever tilt lock. Make certain handle lever is securely locked in place.



3. Move handle lever to [1] position when riding.



4. When using the machine in the walk-behind mode, move handle lever to [2] or [3] position to suit operator's physique or liking.

Driving

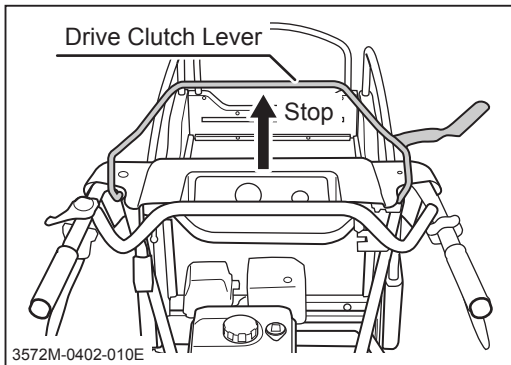
Starting

⚠ WARNING!

- Always start and run the engine in a well ventilated place.
- Always make certain of the safety of your surroundings when starting the engine.

⚠ CAUTION!

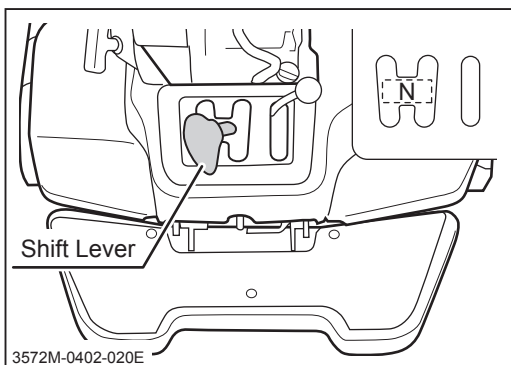
- Do not turn the starter when the engine is running. The starter motor and/or the engine may be damaged.
- Do not turn the starter for more than 5 seconds. If the engine does not start, wait for 5 seconds or more before attempting to start again.
- Do not use this machine in temperatures above 40°C or below -5°C. This machine cannot perform adequately in these temperature ranges. Using this machine under such conditions may result in an accident or cause damage to the machine.
- In the winter or cold climate, warm up the engine thoroughly before driving the machine. A cold engine delivers poor performance, which may result in an accident. It also causes excessive wear.
- Do not use this product in dusty places such as desert. Dust may clog the air cleaner or enter the engine, which may result in loss of performance and an accident. It also causes excessive wear.
- Do not use this machine in the altitude above 1500m in its original configuration. This machine cannot perform adequately above that altitude. Using this machine under such conditions may result in an accident or cause damage to the machine. If you need to use this machine above that altitude, contact your Canycom representative.



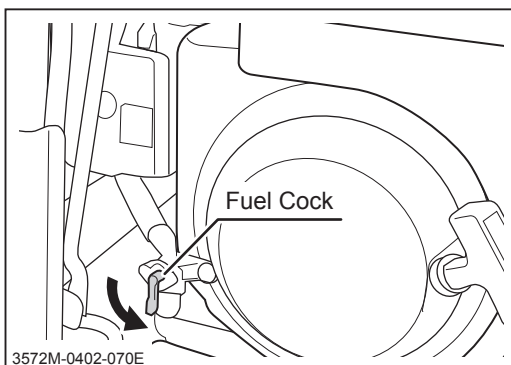
1. Make sure drive clutch lever is in [Stop] position.

NOTE

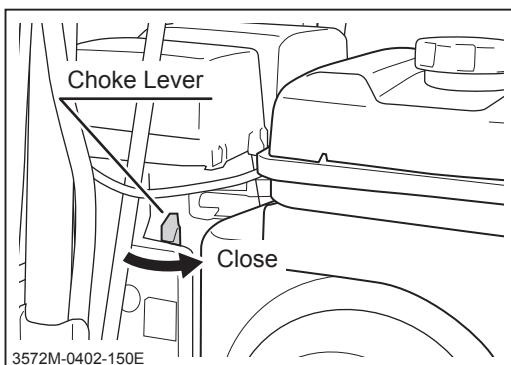
- Electric start model is equipped with safety interlocking switch, and it can only be started when drive clutch lever is in [Stop] position.



2. Make sure shift lever is in [N (neutral)] position.



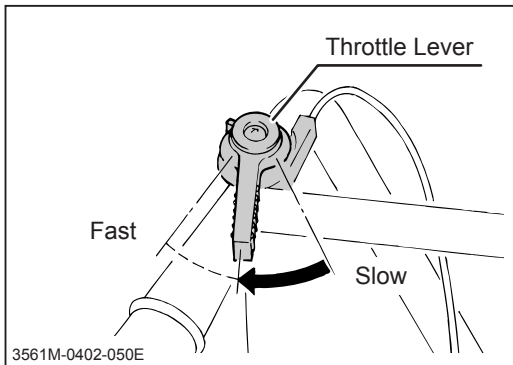
3. Open fuel cock.



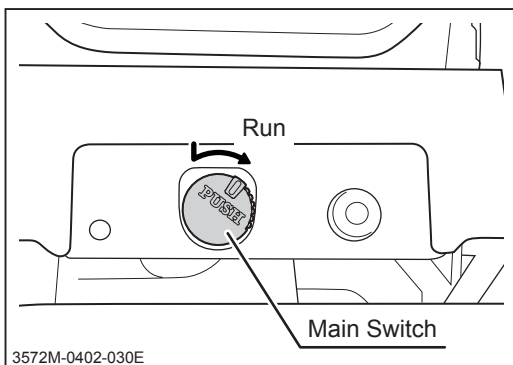
4. Move choke lever to [Close] position.

NOTE

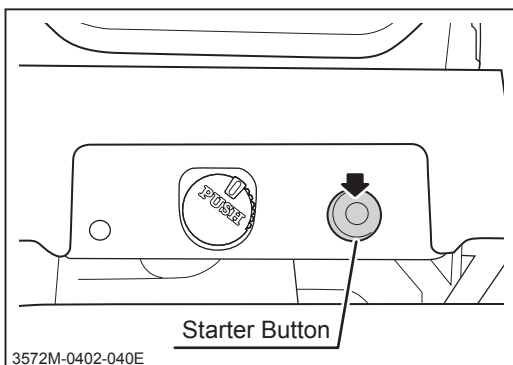
- It is not necessary to close the choke valve when the engine is already warm.



5. Move throttle lever a little toward [Fast] position.



6. Press down main switch and turn it to [⊖(run)] position until it locks in that position.

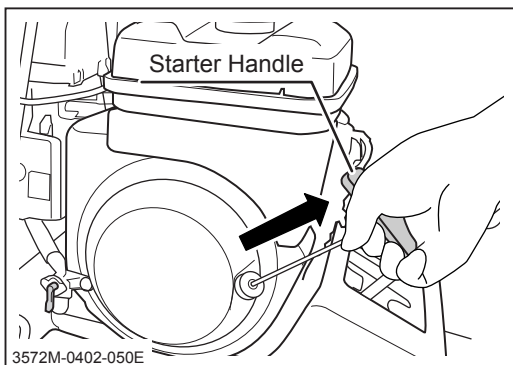


Electric Start Model

7. Push starter button to start the engine.

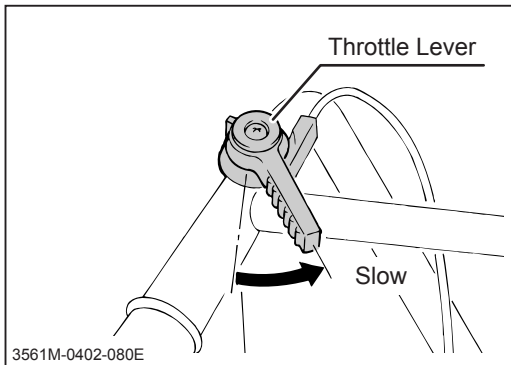
NOTE

- Avoid frequent starting. Once the engine starts, run it for a while to charge battery.
- When the engine cannot be started with electric starter due to flat battery, turn main switch to [⊖(run)] position and start the engine with recoil starter.

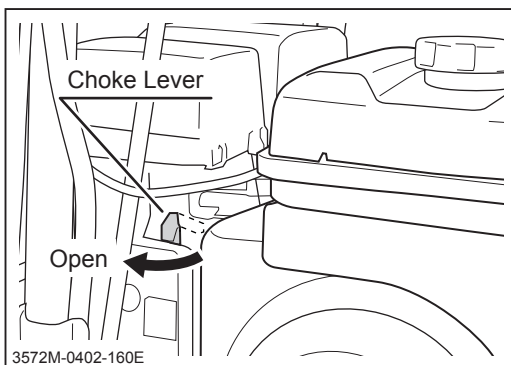


Recoil Start Model

7. Pull starter handle rapidly to start the engine. When the engine starts, return the handle gently



8. Once the engine starts, return throttle lever to [Slow] position.



9. Move choke lever back to the original ([Open]) position.
10. Run the engine for about 5 minutes without load to warm up.

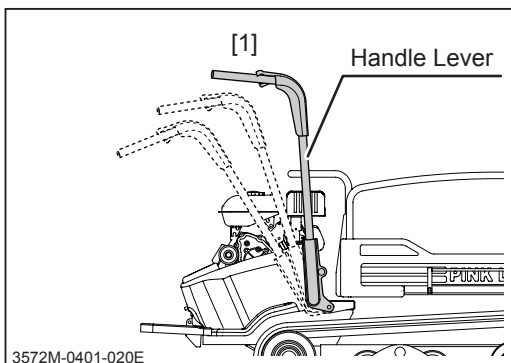
NOTE

- Drive the machine gently in the first 40 to 50 hours of use after purchase for breaking-in.

Driving

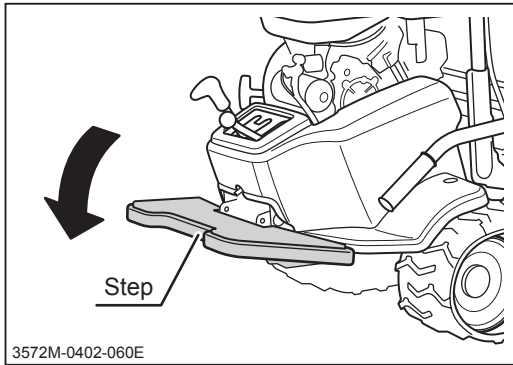
⚠️ WARNING!

- Do not allow bystanders to come near the machine when driving.
- Set handle lever and step in appropriate position (for riding or walk-behind) when using. Setting them in an inappropriate position may hinder safe operation.
- Do not use the 6th gear when riding the machine. Operator can be thrown off or the machine can be tipped over.
- Do not ride the machine on the slope. The machine can tip over.
- Always make certain of the safety of your surroundings before driving; start slow.
- Always make certain of the safety of your surroundings before turning
- Do not make sudden starts, acceleration, change of speed, change of direction, or stop. Do not turn at speed. Avoid sudden maneuvers; this may cause the operator to be dragged or to be thrown, or the machine to tip over.

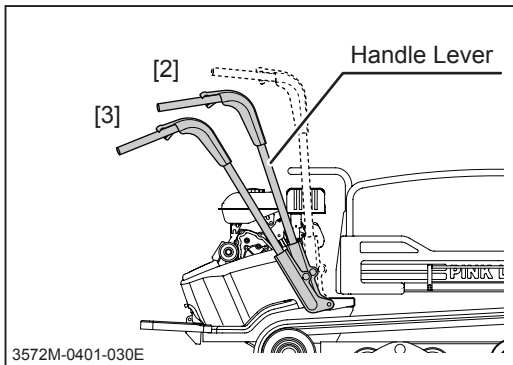


Ride-on mode

1. Set handle lever in [1] position.

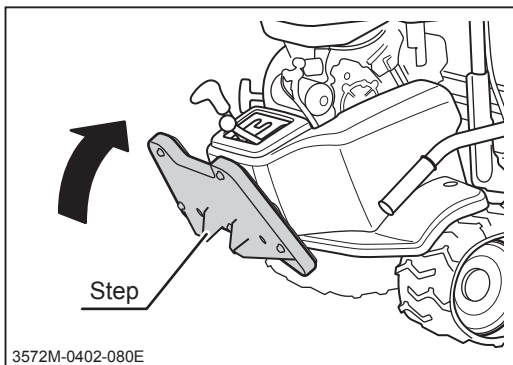


2. Unfold step.

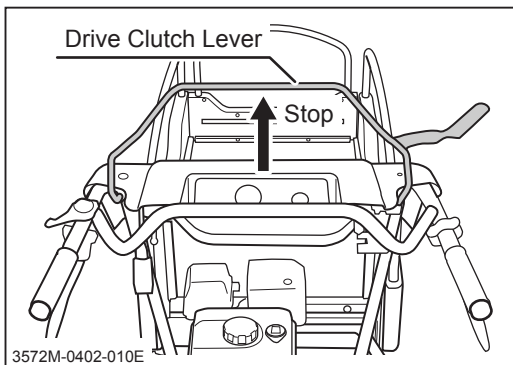


Walk-behind mode

1. Set handle lever to [2] or [3] position.

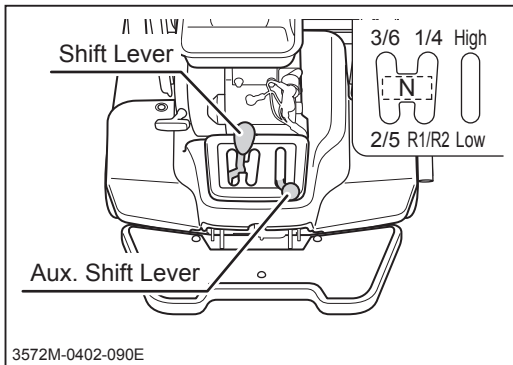


2. Fold step.



3. Make certain of the safety of your surroundings.

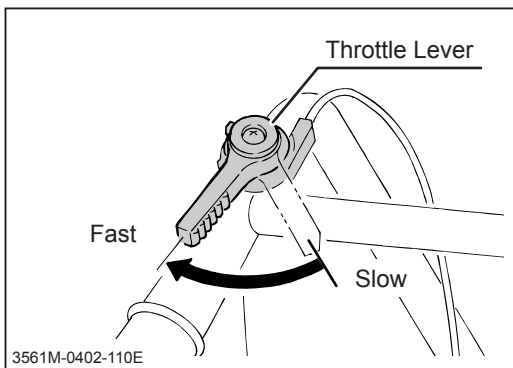
4. Make certain that drive clutch lever is in [Stop] position.



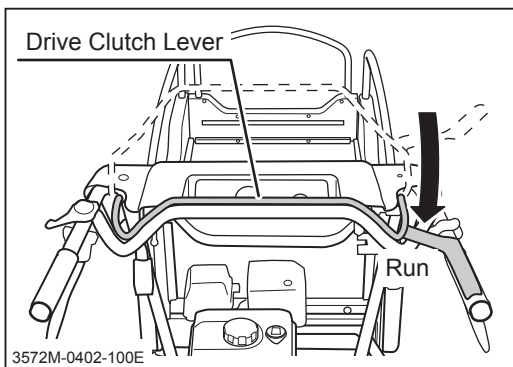
5. Move Shift lever and Auxiliary (aux.) shift lever in a desired position.

NOTE

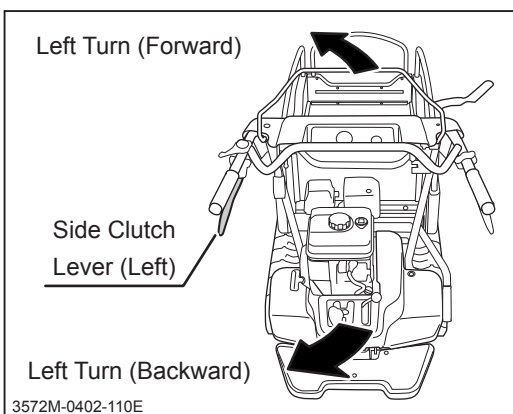
- Refer to "Specifications" (Page 11) for speed in each gear.
- When it is difficult to shift gear, move clutch lever toward the [Run] position slightly and try again. It may help shifting smoothly.



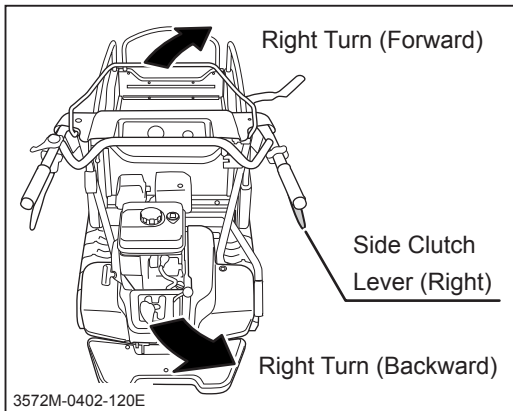
6. Move throttle lever to [Fast] position to raise engine speed.



7. Move drive clutch lever to [Run] position to start.



8. Grasp left side clutch lever to turn left.

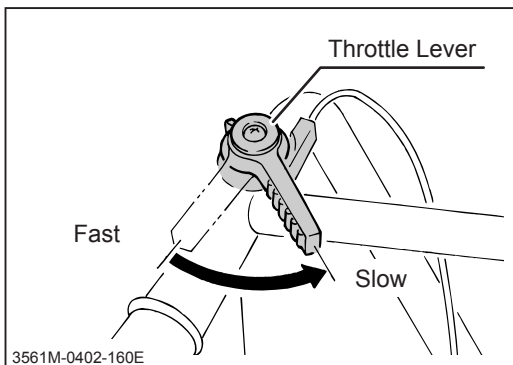


9. Grasp right side clutch lever to turn left.

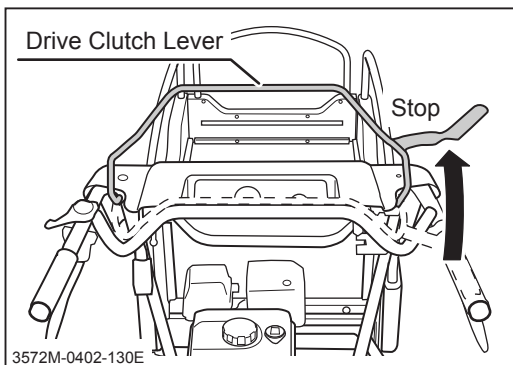
Stopping

⚠ WARNING!

- Do not make a sudden stop. The machine may skid or tip over.
- Always park on a firm, level ground. Never park on a potentially dangerous place.



1. Move throttle lever toward [Slow] position to decelerate.

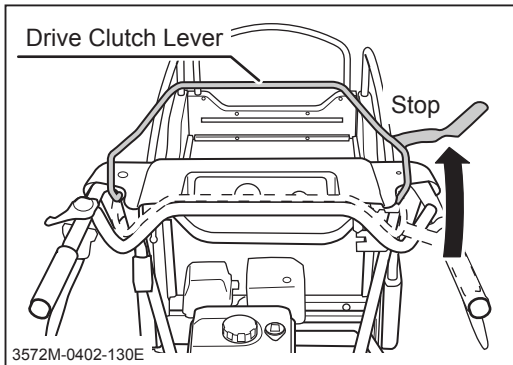


2. Move drive clutch lever to [Stop] position to stop.

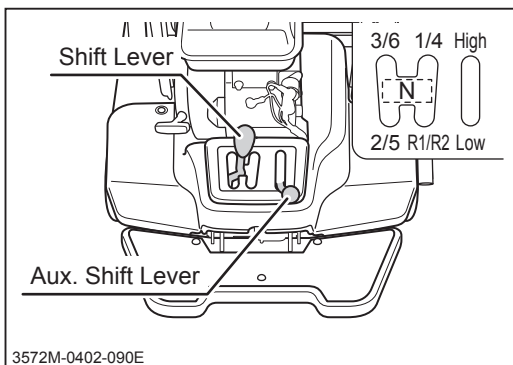
Shifting

⚠ WARNING!

- Always stop the machine to shift gears.
- Always shift gears firmly. When the transmission is not firmly shifted, it may jump out of gear, resulting in loss of control of the machine.



1. Move drive clutch lever to [Stop] position to stop the machine.



2. Move shift lever or auxiliary (aux.) shift lever firmly into a desired position.

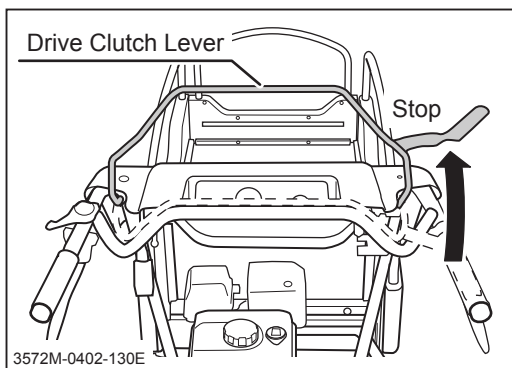
NOTE

- Refer to "Specifications" (Page 11) for speed in each gear.
- When it is difficult to shift gear, move clutch lever toward the [Run] position slightly and try again. It may help shifting smoothly.

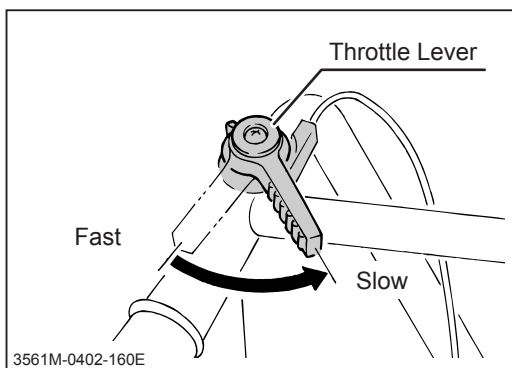
Parking

⚠ WARNING!

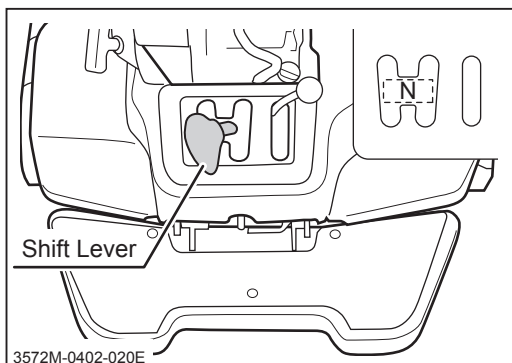
- Always park on a firm, level ground. Never park on a potentially dangerous place.
- Avoid parking on the slope. Never park on the slope with an incline of 15 degrees or steeper. If it is absolutely necessary to park the machine on the slope less than 15 degrees, make certain to apply parking brake firmly and block the tracks with chocks.



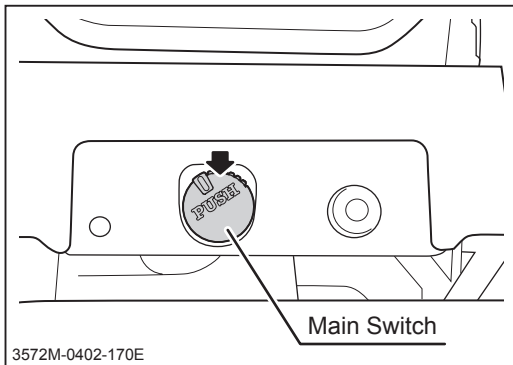
1. Move drive clutch lever to [Stop] position to stop the machine.




2. Move throttle lever toward [Slow] position to decrease engine speed.



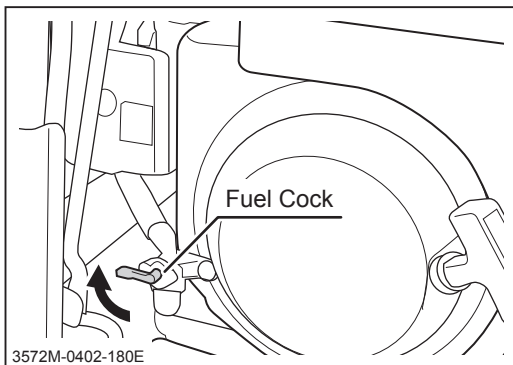
3. Move shift lever to [N (neutral)].



4. Push main switch. It automatically turns to  (stop) position and the engine stops.

NOTE

- Carbon deposit tends to accumulate on spark plug when running the engine at low engine speed. When the engine has been run at low engine speed for an extended period, run the engine at high engine speed for a while before stopping the engine to burn off carbone deposite.



5. Close fuel cock.

Working

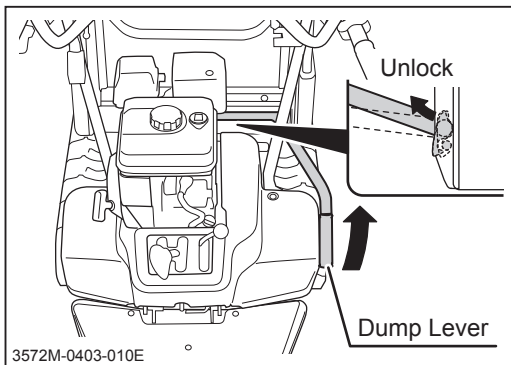
Dumping

⚠ WARNING!

- Always make certain of the safety of your surroundings when dumping.
- Avoid dumping on the slope. The machine may tip over.

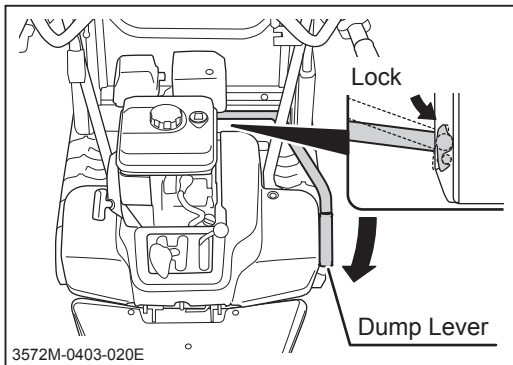
⚠ CAUTION!

- When the load's center of gravity is toward the front of the loading deck, avoid dumping. The loading deck can suddenly fall once the lock is released.
- When lowering the loading deck, use dump lever to lower it.
- When lowering the loading deck with a load on it, lower the loading deck gently.
- On three-way folding gate model, always remove tubular frame on the front door before dumping.



Raising Loading Deck

1. Pull up dump lever to unlock loading deck.
2. Keep pulling up dump lever to raise loading deck.



Lowering Loading Deck

3. Hold and lower dump lever.
4. Lower dump lever until it locks. Make sure dump lever is securely locked in the lowered position.

NOTE

- Always operate dump lever to raise or lower loading deck. Lock mechanism is linked to dump lever, and it locks or unlocks when dump lever is operated.

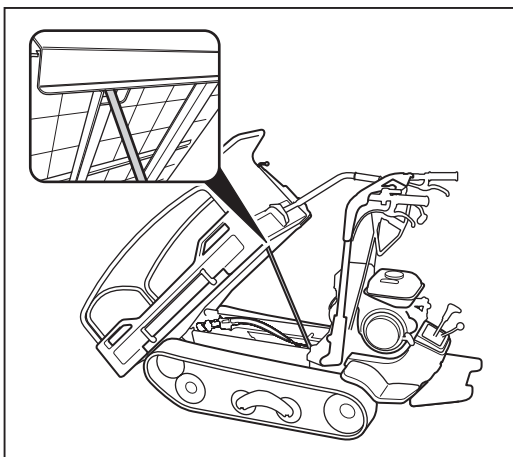
Using Safety Prop

⚠ WARNING!

- Place safety prop under loading deck when inspecting or working under loading deck.

⚠ CAUTION!

- Make certain to undo safety prop before lowering loading deck.

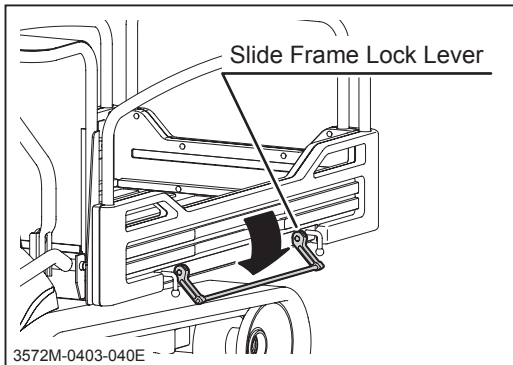


1. Raise loading deck.
2. Hold loading deck with safety prop.

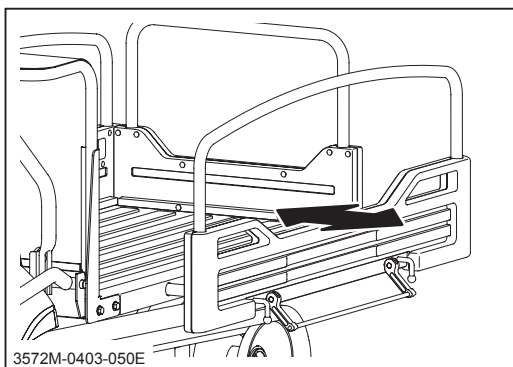
Using Slide Frame (Slide Frame Model)

⚠ CAUTION!

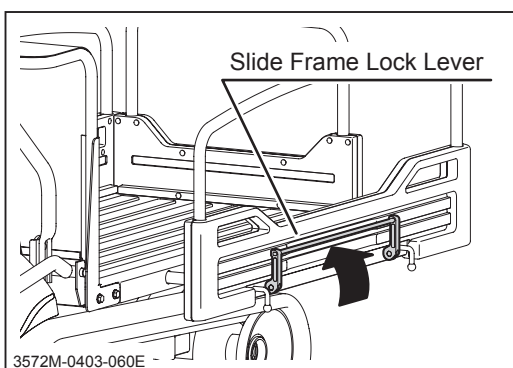
- Always lock slide frame when in use.
- Do not extend slide frame beyond black line on slide frame rod. Slide frame may be damaged.



1. Move down slide frame lock lever to unlock slide frame.



2. Move slide frame to a desired position.

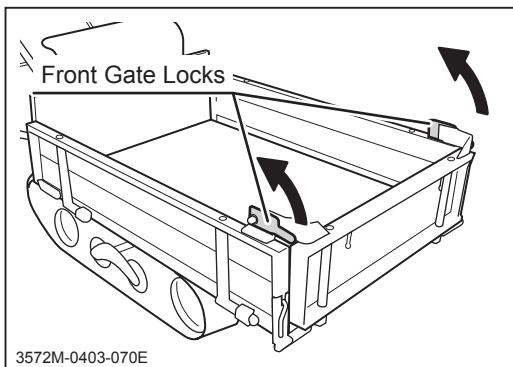


3. Move up slide frame lock lever to lock slide frame.

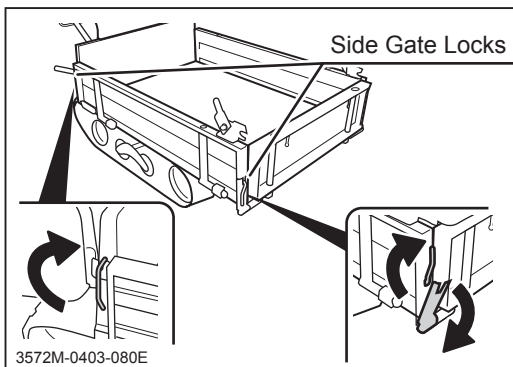
Using Side Gate (Three-way Folding Gate Model)

⚠ CAUTION!

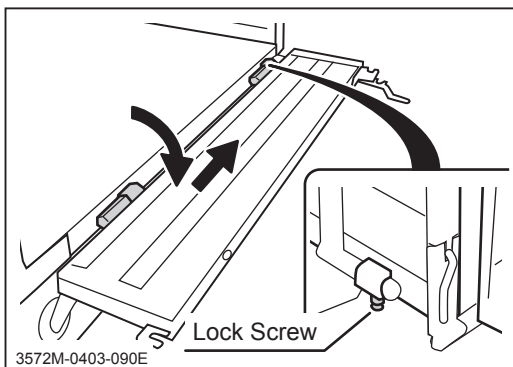
- Lock front gate in vertical position or remove front gate when using the machine with side gate in open position.
- Always remove tubular frame on side gate when using the machine with side gate in open position.



1. Undo front gate locks.



2. Undo side gate locks to open side gate.



3. Move down side gate until it is near horizontal. Then, slide it forward to keep it in that position.
4. Tighten lock screw to lock it.

Maintenance Schedule

⚠️ WARNING!

- Follow the scheduled maintenance as described below. Failure to do so may result in mechanical or property damage, injury or death.

- Perform a pre-startup inspection (PSI) before each use, a monthly inspection once a month, and a yearly inspection once a year.
- Some maintenance procedures described below may require special knowledge or tools and instruments. Contact your Canycom representative to perform such procedures.

Item	Description	Schedule			Note	
		PSI	Mon	Year		
Engine	Lubrication System	Oil shall be clean and at correct level.	√	√	√	Inspecting/ Changing:Page 36
		No noticable oil leaks shall be found in head cover, oil pan, or pipes.	√	√	√	
	Air Cleaner	Air cleaner case shall not be deformed or cracked. Case lid and connecting air hose shall be firmly in place.		√	√	
		Cleaner element shall be in good shape without damage or excessive dust.	√	√	√	Cleaning/Replacing: Page 38
	Spark Plug	Electrode shall not be worn, and there shall not be excessive carbon deposit.			√	Cleaning/Replacing: Page 38
	Fuel System	There shall not be any leaks in fuel tank, hoses, or pipes.		√	√	
		Fuel hoses shall be free of damage or deterioration.		√	√	
		Fuel filter shall not be excessively dirty or clogged.		√	√	Cleaning: Page 39
		There shall not be sediment or water in the fuel tank.		√	√	
	Starting	Engine shall start easily without making any irregular noise.	√	√	√	
	Running	Engine speed shall be set properly at idle and at full throttle without load. Engine shall stay running smoothly.			√	Contact your Canycom representative for inspection.
		When accelerating engine, throttle lever shall move smoothly, and engine shall accelerate smoothly without stopping or knocking.	√	√	√	

Item	Description	Schedule			Note	
		PSI	Mon	Year		
Engine	Exhaust	Warm up engine thoroughly, and observe exhaust sound and gas from idle to fast speed; exhaust sound shall be normal and no smoke shall be observed.	√	√	√	
		There shall be no leak in exhaust system or muffler.		√	√	
	Fasteners	Bolts and nuts fastening cylinder head, intake and exhaust manifolds shall be tightly fastened. * this may be skipped if there is no gas leak found in these areas.			√	
	Valve Clearance	Valve clearance shall be correct. * this may be skipped if there is no noise due to incorrect valve clearance, and engine runs normally.			√	Contact your Canycom representative for inspection.
	Compression	Compression shall be normal * this may be skipped if running and exhaust condition is normal at idle and under acceleration.			√	Contact your Canycom representative for inspection.
	Engine Mount	Engine base shall be free of cracks or deformation.		√	√	
Mounting bolts and nuts shall not be loose or missing.		√	√	√		
Drive Train	Tracks	There shall not be marked cut, deterioration, or wear.	√	√	√	
		Track shall be properly tensioned; shall not be too loose or too tight.	√	√	√	Adjusting: Page 40
		Tension bolt shall be free of deformation or corrosion.	√	√	√	
	Transmission	Transmission shall not jump out of the gear. Irregular noise or overheating shall not be observed.	√	√	√	
		Oil shall be clean and filled to the proper level.		√	√	Replacing: Page 41
		There shall not be oil leaks in or around transmission.		√	√	

Item	Description	Schedule			Note	
		PSI	Mon	Year		
Drive Train	Drive Belts	Belt tension shall be properly adjusted.		√	√	Inspecting/Adjusting: Page 42
		Belt shall be free of damage, excessive wear, or dirt; shall be free of oil or grease.		√	√	
	Clutch	Clutch shall not make noise and shall disengage completely when operated at idle.		√	√	
		Clutch shall not slip and shall engage smoothly.		√	√	
	Brake	Brake shall work properly.	√	√	√	Adjusting: Page 43
		Parking brake shall be able to hold the machine on the 20-degree slope.		√	√	
	Side Clutch	Side clutch shall work positively without making irregular noise.	√	√	√	
		Lever play and stroke shall be properly adjusted.	√	√	√	Inspecting/Adjusting: Page 45
		Wire shall be free of damage, excessive play at joints, or rust on pins.		√	√	
	Linkage	Rods, links, and wires in linkage shall be free of deformation or damage.		√	√	
Connections shall be free of looseness, excessive play, or missing cotter pins.			√	√		
Undercarriage	Wheels Sprockets Idlers	Shall be free of cracks, defromation, or excessive wear.	√	√	√	
		There shall not be excessive play in axle. Irregular noise or overheating shall not be observed when traveling.	√	√	√	
		Mounting bolt or nut shall not be loose or missing.	√	√	√	
		There shall be no oil leak in or around axle.		√	√	
	Linkage	Rods, links, and wires in linkage shall be free of deformation or damage.		√	√	
		Connections shall be free of looseness, excessive play, or missing cotter pins.		√	√	

Item	Description	Schedule			Note	
		PSI	Mon	Year		
Body, Chassis, Loading Deck, Safety Devices	Chassis	Shall be free of cracks, deformation, or corrosion.		√	√	
	Frame	Fastening bolts or nuts shall not be loose or missing.		√	√	
	Body Panels	Shall be free of cracks or deformation.		√	√	
		Fastening bolts or nuts shall not be loose or missing.		√	√	
	Loading Deck	Loading deck shall be raised and lowered smoothly.		√	√	
		Panels shall slide smoothly and can be locked in place securely.		√	√	
		Shall be free of cracks, deformation, or corrosion.		√	√	
		Fastening bolts or nuts shall not be loose or missing.		√	√	
	Safety Prop	Safety prop shall be free of any deformation.		√	√	
	Labels	Warning labels and instruction plates shall be clean, legible, and free of damage.	√	√	√	
Electrical	Battery	Terminals shall be free of marked corrosion, and are securely connected.		√	√	
	Wiring	Connections shall be secure.		√	√	
		Wiring shall be free of damage.		√	√	
Charge System	Battery shall charge.			√	Contact your Canycom representative for inspection.	

5

Maintenance

List of Fluids and Lubricants

Item	Schedule	Grade	Cap.
Fuel	As needed.	Automotive unleaded gasoline.	2.5L
Engine Oil	Fill Inspect daily. Fill as needed. Change Initially - After 25 hours of use. Every 50 hours afterwards.	Automotive gasoline Engine Oil API rating: SE or better. SAE rating: 10W-30 or 10W-40	0.5L
Transmission Oil	Change Initially - After 50 hours of use. Every 500 hours afterwards.	Gear Oil API rating: GL-4 or 5 SAE rating: 80	1.5L

List of Consumables and Spares

⚠ CAUTION!
<ul style="list-style-type: none"> • When replacing a consumable or spare, always use the CANYCOM genuine part.

Item	Part No.	Schedule	Qty.
Engine			
Air Cleaner Element	KA01091AA004	Replace if defective.	1
Spark Plug (NGK BP6HS)	FA21273	Replace if defective.	1
Fuel Filter	KF31035AA003	Replace if defective.	1
Drive Train			
V-Belt (Engine-Middle Pulley LA28 [AG6])	08521600028	Replace if defective.	1
V-Belt (Middle Pulley - Transmission LB63)	08521300063	Replace if defective.	1
Track	35722021000	Replace if defective or reaches the wear limit.	2
Brake Lining	73184019000	Replace if defective.	1
Wire (Drive Clutch)	35723112000	Replace if defective.	1
Wire (Parking Brake)	35723113000	Replace if defective.	1
Wire (Side Clutch Lever Left/Right)	35723023000	Replace if defective.	2
Electrical System			
Battery*1	35710207000	Replace if defective.	1
Fuse 15A (Blue)*1	09801001504	Replace if defective.	1

*1: Electric start model only.

NOTE

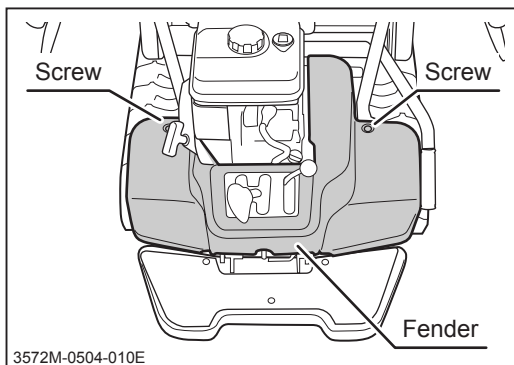
- Track wear limit: 5mm of lug height

Removing and Installing Body Panels

⚠ CAUTION!

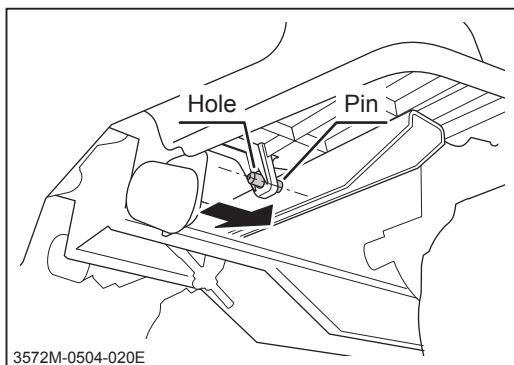
- Cut or pinch hazard exists when removing or installing body panels; beware of sharp edges and pinch points.
- Make certain to reinstall panels after removing for repairs or inspection.

Fender



Removing

1. Remove two screws that secure fender. Remove fender.



Installing

1. Put fender back in its place. Align hole on fender with pin on chassis and move fender so that pin mates with hole.
2. Install two screws.

Engine

⚠ WARNING!

- Always stop the engine before servicing.
- Allow the engine to cool off before servicing. The engine is very hot after operation and may pose a burn hazard.
- Keep fire and spark away when handling fuel.

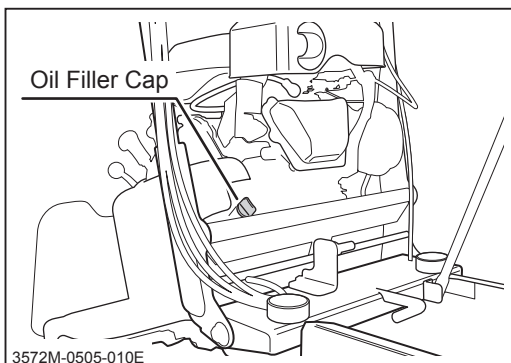
Engine Oil

⚠ CAUTION!

- Dispose of drained oil properly.
- Make certain to fill the engine with correct grade of oil to the specified level. Insufficient amount or wrong grade of oil reduces performance and may cause permanent damage to the engine.

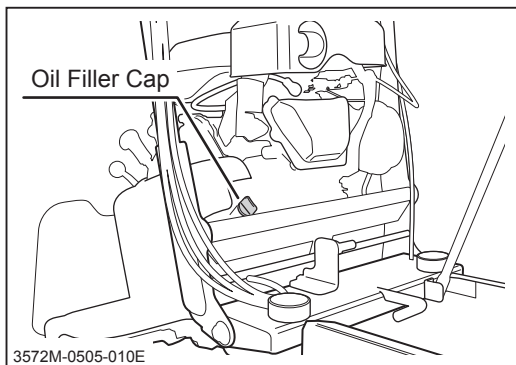
NOTE

- To obtain correct reading, check oil level before starting, or wait about 10 minutes after stopping the engine to allow oil to drain back to the oil pan. Circulating oil stay in various parts of the engine right after stopping.
- Always check oil level on a level ground.
- Oil Capacity: 0.5L
- Oil to Use: Automotive gasoline engine oil, API grade SE or better, SAE grade 10W-30 or 10W-40.



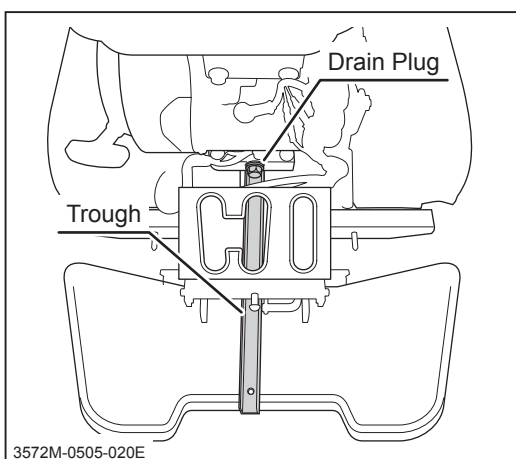
Inspecting

1. Park the machine on a level ground.
2. Lift loading deck and support it with safety prop securely.
3. Remove oil filler cap.
4. Follow the instructions in "**Operator's Manual for the Engine**" to check oil.
5. Screw oil filler cap firmly back in place.
6. Undo safety prop and lower loading deck.



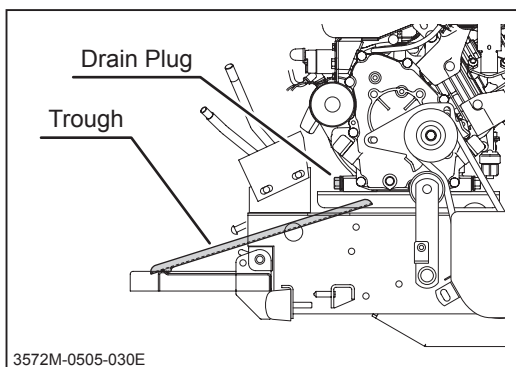
Filling

1. Remove oil filler cap.
2. Follow the instructions in "**Operator's Manual for the Engine**" to fill oil.
3. Check oil level.
4. Screw oil filler cap firmly back in place.



Changing

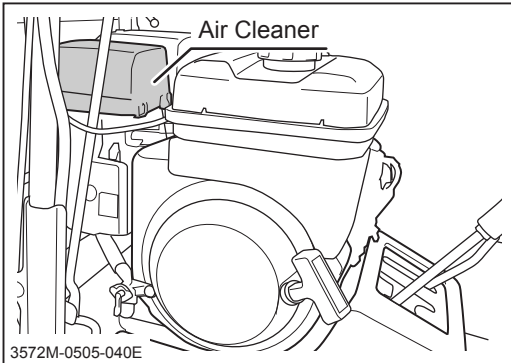
1. Have an appropriate oil drain pan.
2. Remove fender.
3. Remove rubber mat on step.
4. Set oil drain trough in place.
5. Remove oil drain plug and drain oil.
6. Put drain plug back in place.
7. Remove trough.
8. Fill oil.
9. Put rubber mat back in place.
10. Install fender.



Air Cleaner

⚠ CAUTION!

- Clean air cleaner element regularly. Dirty air cleaner element reduces engine performance and life.
- Replace air cleaner element if damaged.

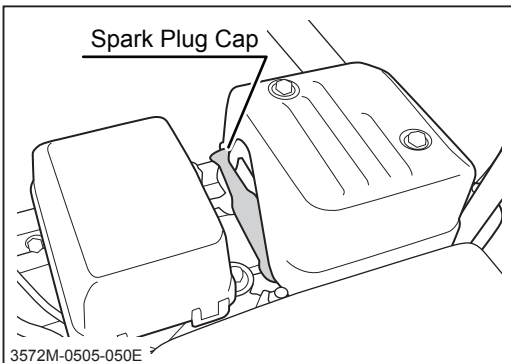


1. Follow the instructions in "**Operator's Manual for the Engine**" to clean or replace air cleaner element.

Spark Plug

⚠ CAUTION!

- When removing the spark plug cap, Do not pull the cable; pull the cap. Pulling the cable can damage the conductor or the joint of the cable.
- Replace spark plug if damaged.

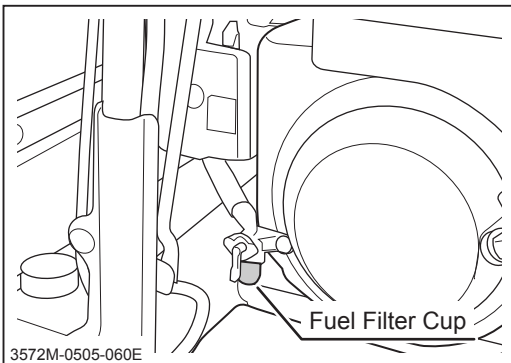


1. Lift loading deck and support it with loading deck safety prop.
2. Remove spark plug cap and spark plug.
3. Follow the instructions in "**Operator's Manual for the Engine**" to inspect, clean, or replace spark plug.
4. Put spark plug and spark plug cap back in place.
5. Undo loading deck safety prop and lower loading deck.

Fuel Filter

⚠ WARNING!

- Fuel is highly flammable. Keep fire and spark away when servicing fuel filter.
- If fuel is spilt, wipe it off immediately.
- Dispose of waste fuel properly.



1. Follow the instructions in "**Operator's Manual for the Engine**" to clean fuel filter.
2. Start engine and visually inspect fuel filter cup so that there is no leak.

Drive Train

⚠ WARNING!

- Stop the engine when servicing the drive train.
- Allow the machine to cool off before servicing. The engine is very hot after operation and may pose a burn hazard.

⚠ CAUTION!

- Dispose of drained oil and fluids properly.

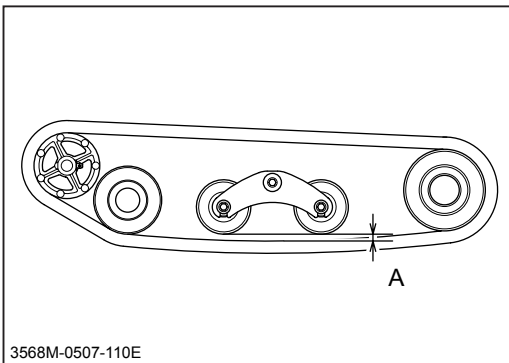
Track

⚠ WARNING!

- Jack up the machine securely when inspecting and adjusting the track. Jack it up on a level ground.
- Always unload the machine before jacking up.
- Make certain to adjust track tension properly. Improperly tensioned tracks may wear or come off, resulting in property damage, serious injury or death.

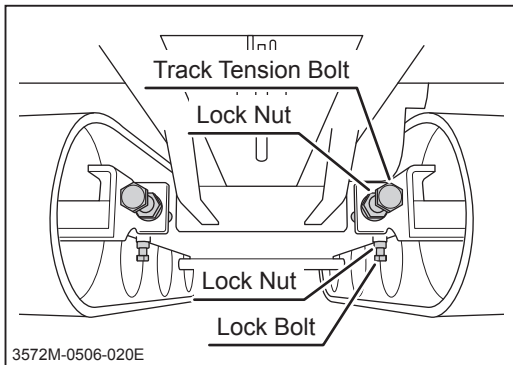
NOTE

- Track stretches during its use-life. Inspect and adjust regularly.



Inspecting

1. Jack up the machine so that track is parallel to the ground.
2. Inspect the clearance between track and center roller (clearance A) to be between 10 and 15mm. Adjust tracks if the clearance is not within this range.
3. Lower the machine.



Adjusting

1. Jack up the machine so that it is parallel to the ground.
2. Loosen lock nut.
3. Adjust track with track tension bolt so that the clearance between track and center roller (clearance A) at the furthest is between 10 and 15mm.
4. Tighten lock nut
5. Lower the machine.

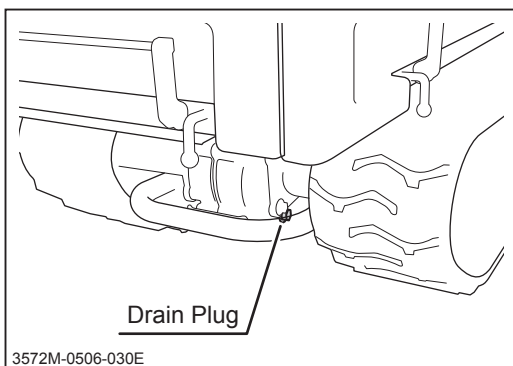
Transmission Oil

⚠ CAUTION!

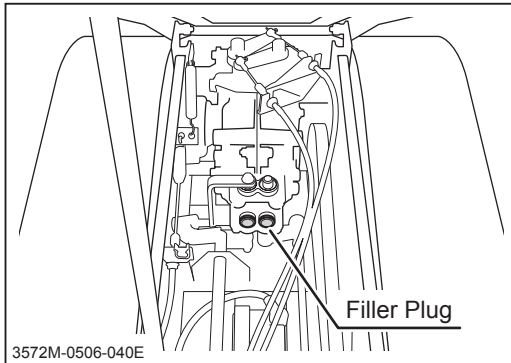
- Make certain to fill the transmission with the correct grade of oil to the specified level. Insufficient amount or wrong grade of oil reduces performance and may cause permanent damage to the transmission.

NOTE

- Oil Capacity: 1.5L
- Oil to Use: API grade GL-4 or 5, SAE grade 80.



1. Park the machine on a level ground.
2. Have an appropriate drain pan.
3. Remove drain plug to drain oil.
4. Install drain plug.

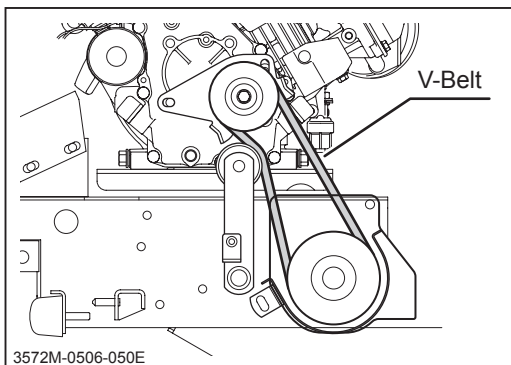


5. Lift loading deck and support it with safety prop.
6. Remove filler plug.
7. Fill oil into the filler.
8. Install filler plug.
9. Lower loading deck.

Drive Belt

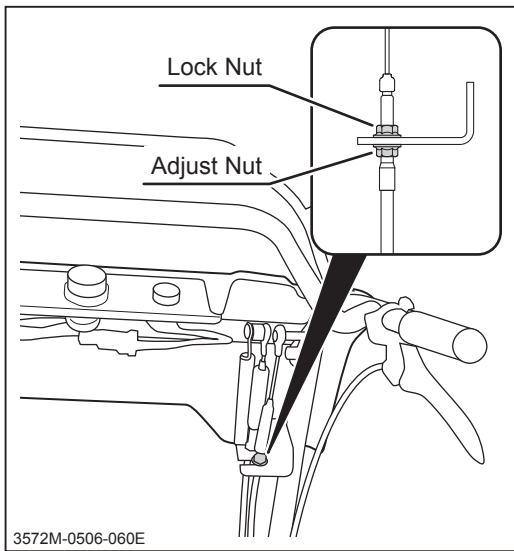
⚠ CAUTION!

- **Adjust belt tension properly. Inproperly tensioned belt may reduce performance and its service life.**



Inspecting

1. Remove fender.
2. Visually inspect V-belt for damages. If damaged, contact your dealer to replace it.
3. Install fender.



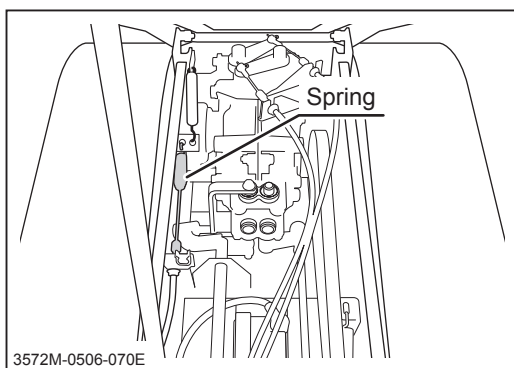
Adjusting

1. Move drive clutch lever to [Stop] position.
2. Loosen lock nut.
3. If belt slips, tighten adjust nut to tension belt.
4. If drive clutch does not disengage positively, loosen adjust nut.
5. When adjustment is done, tighten lock nut.

Parking Brake

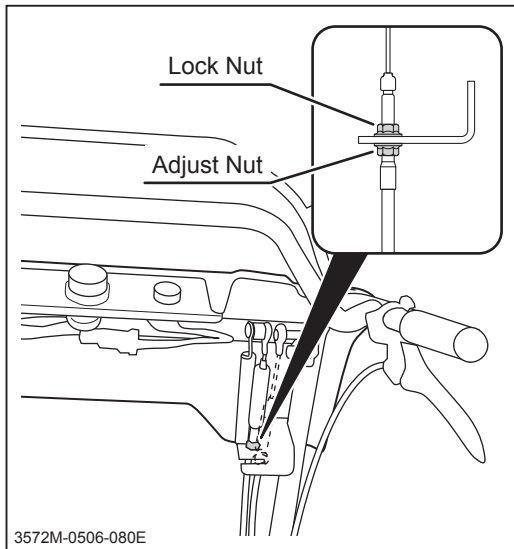
⚠ WARNING!

- Always keep brake adjusted for maximum performance. Improperly adjusted brakes may result in property damage, serious injury, or death.



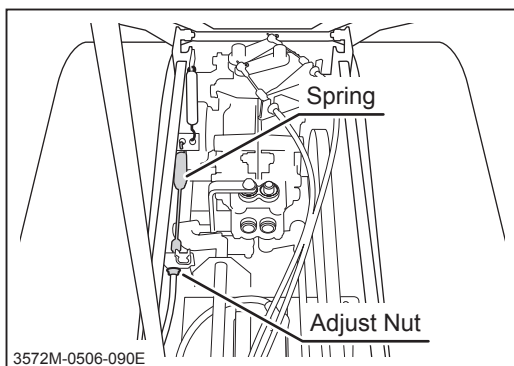
Inspecting

1. Lift loading deck and support it with safety prop.
2. Move drive clutch lever to [Stop] position.
3. Inspect the amount of stretch of brake spring is approximately 5 mm. If it is not, adjust.
4. Undo safety prop and lower loading deck.



Adjusting - on the Lever

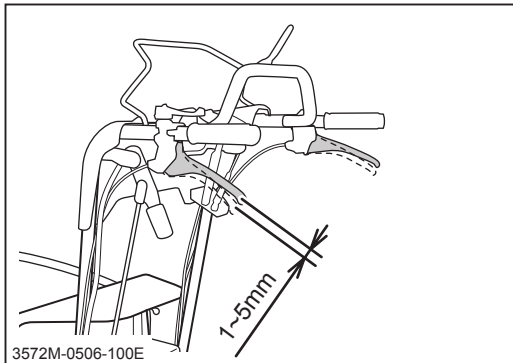
1. Lift loading deck and support it with safety prop.
2. Move drive clutch lever to [Stop] position.
3. Loosen lock nut.
4. Adjust the amount of stretch of spring with adjust nut so that the amount of stretch is approximately 5 mm.
5. Tighten lock nut.
6. Undo safety prop and lower loading deck.



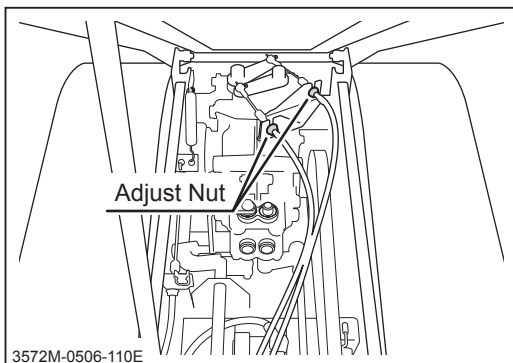
Adjusting - on the Brake

1. Lift loading deck and support it with safety prop.
2. Move drive clutch lever to [Stop] position.
3. Adjust the amount of stretch of spring with adjust nut so that the amount of stretch is approximately 5 mm.
4. Undo safety prop and lower loading deck.

Side Clutch



1. Lift loading deck and support it with loading deck safety prop.
2. Adjust side clutch with adjust nut so that the play on side clutch lever is between 1 and 5 mm.
3. Undo safety prop and lower loading deck.

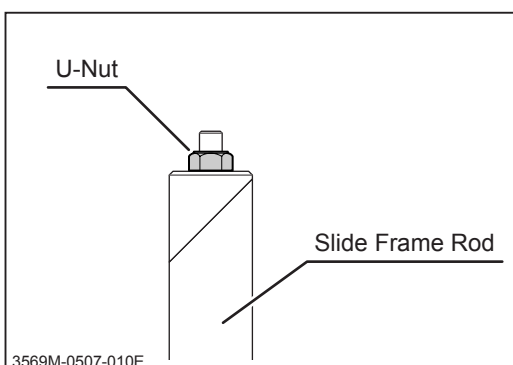


Loading Deck

Adjusting Slide Frame (Slide Frame Model)

⚠ CAUTION!

- Do not apply oil or grease on slide frame rod. Slide frame will not lock.



1. Remove slide frame from loading deck.
2. Adjust U-nut at the end of slide frame rod. If slide frame is too tight, loosen U-nut. If slide frame is too loose, tighten U-nut.
3. Install slide frame back on loading deck.

Electrical

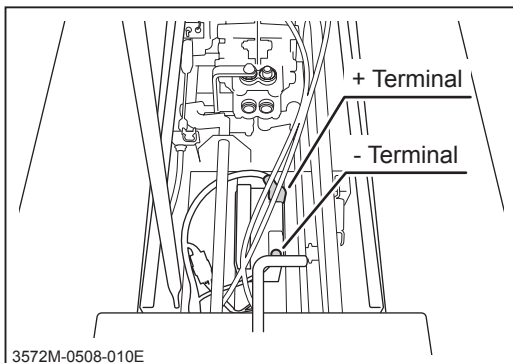
⚠ WARNING!

- Always stop engine and turn main switch to [ (stop)] position when servicing.

Battery (Electric Start Model)

⚠ CAUTION!

- When removing battery, always disconnect the (-) terminal first, and when installing battery, always connect the (+) terminal first. Disconnecting or connecting in the opposite order may cause short circuit.
- When installing the battery, make certain to connect the (+) and (-) terminals to their correct positions. Avoid contact between terminals and other surrounding parts.

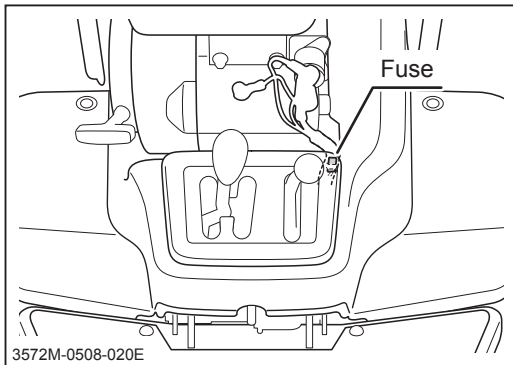


1. Lift loading deck and support it with loading deck safety prop.
2. Disconnect negative (-) terminal from battery.
3. Disconnect positive (+) terminal from battery.
4. Remove battery from the machine.
5. Install new battery to the machine.
6. Connect positive (+) terminal to battery.
7. Connect negative (-) terminal to battery.
8. Undo safety prop and lower loading deck.

Fuse (Electric Start Model)

⚠ CAUTION!

- If a fuse blows, investigate the cause and repair it before replacing the fuse.
- Always replace a fuse with the one of the correct capacity. Using a wrong fuse may result in damage to electrical components or cause fire.



Inspecting

1. Remove fuse and visually inspect if it is blown.
2. If it is blown, replace it with a new one of the same capacity.
3. Install fuse.

Replacing

1. Remove blown fuse.
2. Install new fuse.

NOTE

- Fuse to Use: Mini Blade Fuse, 15A

After Use Care

⚠ CAUTION!

- Do not wash the engine, control panel, electrical parts, or tank caps with air breather with running water; water may enter inside and cause rust or damage.
- Clean the machine after use; leaving dirt or foreign objects may cause damage.
- Do not attempt to move the machine when it becomes inoperable due to freezing.

After Normal Use

1. Clean the machine; wash off dirt, mud, and other foreign matter after use.
2. If the machine is to be left outside, cover the machine with protective, water-proof covering after the machine is cooled off.

After Cold Weather Use

1. Clean the machine; wash off dirt, mud, and other foreign matter after use.
2. Park the machine on a paved or firm, dry surface.
3. If the machine is to be left outside, cover the machine with protective, water-proof covering after it is cooled off.

Storage

⚠ WARNING!

- Fire hazard; do not store the machine where there is a possibility of ignition.

⚠ CAUTION!

- Do not wash the engine or control panel with running water; water may enter inside and cause rust or damage.
- Clean the machine before storage; leaving dirt or foreign objects may cause rust or damage.
- Do not store the machine in a humid, dusty, or hot place.

1. Follow the instructions in "**Parking**" (page 24) to park the machine.
2. Clean dirt off of the machine.
3. Follow instructions in "**Operator's Manual for the Engine**" to prepare engine for storage.
4. Remove battery from the machine (page 46).
5. Cover the machine with protective, water-proof covering after the machine is cooled off.

NOTE

- Battery discharges even when it is not in use. A battery may hold charge for a few months, but it is a good practice to charge the battery before it goes flat; it will extend the battery life.
- Refer to "Operator's Manual for the Engine", for detailed instructions on preparing the engine for storage.

Troubleshooting

- If any malfunction or abnormal condition is found, immediately stop using the machine and take an appropriate measure according to the Troubleshooting chart below. If the malfunction or abnormal condition is not listed in the chart, or the suggested measure does not solve the problem, consult with your CANYCOM representative.
- Some corrective measures listed below require special knowledge and/or equipment. Please contact your CANYCOM representative in such a case.

Area	Malfunction	Possible Cause	Corrective Measure	Ref.
Engine	Engine does not start (starter does not turn - Electric start model only.)	Safety switch is functioning.	→Make sure drive clutch is in [Stop] position, and push to turn main switch to [Run] position.	Page 16
		Safety switch is malfunctioning or needs adjustment.	→Please contact your CANYCOM representative.	
		Battery is bad.	→Replace battery.	Page 46
		Battery terminal is loose or cable is broken.	→Connect terminal or repair cable.	
		Fuse is blown.	→Replace fuse.	Page 47
		Other (other than the above).	→Please contact your CANYCOM representative.	
	Engine does not start, or is difficult to start.	Out of fuel.	→Fill fuel.	Page 13
		Engine is flooded (too much fuel fed into the engine).	→Wait and restart.	
		Fuel cock is closed	→Open fuel cock.	Page 16
		Poor ignition due to a problem with spark plug.	→Clean or replace spark plug.	Page 38
		Other (other than the above).	→Follow the instructions in " Starting " to restart. If problem persists, please contact your CANYCOM representative.	Page 15

Area	Malfunction	Possible Cause	Corrective Measure	Ref.
Engine	Engine stalls.	Out of fuel.	→Fill fuel.	Page 13
		Engine is cold.	→Warm up engine.	
		Choke lever is in [Close] position.	→Move choke lever to [Open] position.	Page 18
		Other (other than the above).	→Please contact your CANYCOM representative.	
	Engine stops abruptly.	Out of fuel.	→Fill fuel.	Page 13
		Other (other than the above).	→Please contact your CANYCOM representative.	
	Irregular Idling	Air cleaner element is clogged	→Clean or replace air cleaner element.	Page 38
		Other (other than the above).	→Please contact your CANYCOM representative.	
	Poor power or acceleration	Bad fuel	→Change fuel.	
		Insufficient intake air (clogged air cleaner).	→Clean or replace air cleaner element.	Page 38
		Loose drive belt.	→Adjust drive belt.	Page 42
		Excessive load	→Reduce load.	
		Other (other than the above).	→Please contact your CANYCOM representative.	
	Irregular noise or vibration from or around the engine		→Please contact your CANYCOM representative.	
	Excessive oil consumption		→Please contact your CANYCOM representative.	
	Engine overheats	Insufficient amount of engine oil.	→Fill oil.	Page 38
		Other (other than the above).	→Please contact your CANYCOM representative.	
Excessive Fuel consumption	Insufficient intake air (clogged air cleaner).	→Clean or replace air cleaner element.	Page 36	
	Other (other than the above).	→Please contact your CANYCOM representative.		

6

Troubleshooting

Area	Malfunction	Possible Cause	Corrective Measure	Ref.
Engine	Black smoke comes out of exhaust	Choke lever is in [Close] position.	→Move choke lever to [Open] position.	Page 18
		Air cleaner is clogged.	→Clean or replace air cleaner element.	Page 38
		Other (other than the above).	→Please contact your CANYCOM representative.	
	White or blue smoke comes out of exhaust	Bad fuel.	→Change fuel.	
		Engine oil level is too high.	→Adjust the oil level.	Page 36
		Wrong engine oil.	→Change oil.	Page 36
		Other (other than the above).	→Please contact your CANYCOM representative.	
Accelerator lever is catching		→Please contact your CANYCOM representative.		
Drive Train	Machine does not move when clutch lever is in the [Run] position.	Transmission is not positively in the gear.	→Shift firmly.	
		Loose drive belt.	→Adjust drive belt	Page 42
		Other (other than the above).	→Follow instructions in "Driving" to drive. If problem persists, please contact your CANYCOM representative.	Page 19
	Clutch does not disengage positively.	Improperly adjusted drive belt.	→Adjust drive belt	Page 42
		Other (other than the above).	→Please contact your CANYCOM representative.	
	Drive belt slips.	Loose drive belt.	→Adjust drive belt	Page 42
		Other (other than the above).	→Please contact your CANYCOM representative.	
	Transmission jumps out of gear.	Transmission is not positively in the gear.	→Shift firmly.	
		Excessive load	→Reduce load.	
		Other (other than the above).	→Please contact your CANYCOM representative.	

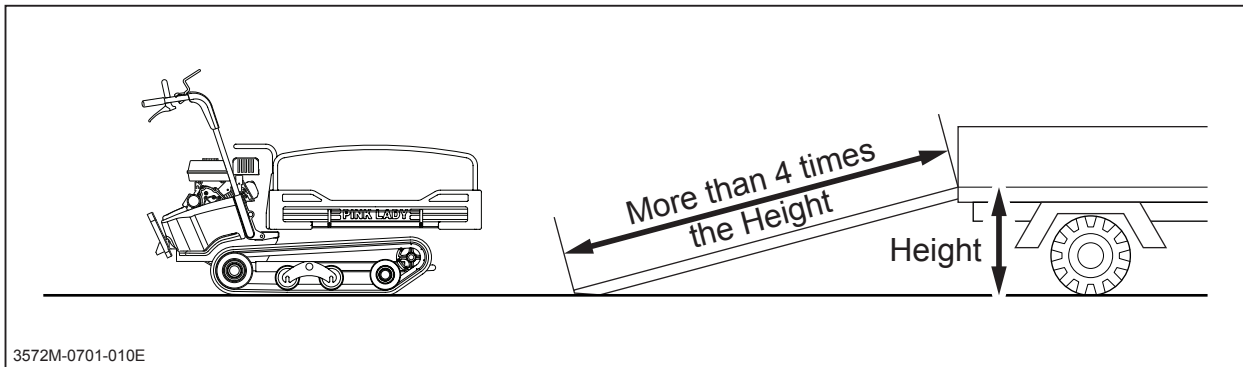
Area	Malfunction	Possible Cause	Corrective Measure	Ref.
Drive Train	Excessive play with the side clutch.	Improperly adjusted side clutch.	→Adjust side clutch	Page 45
	Machine does not turn smoothly.	Improperly adjusted side clutch.	→Adjust side clutch	Page 45
		Other (other than the above).	→Please contact your CANYCOM representative.	
		Irregular noise or abnormal heat from roller, sprocket, or idler.		→Please contact your CANYCOM representative.
Brake	Brake does not work well.	Improperly adjusted brake.	→Adjust brake.	Page 43
		Brake is wet with water.	→Apply brake a few times to dry.	
		Excessive load	→Reduce load.	
		Other (other than the above).	→Please contact your CANYCOM representative.	
Track	Track does not move smoothly.	Improperly adjusted track.	→Adjust track.	Page 40
		Other (other than the above).	→Please contact your CANYCOM representative.	

Hauling

Loading and Unloading

⚠️ WARNING!

- Park the transporter (truck) on a level ground. Always use chocks to secure wheels.
- Do not allow bystanders to come close to the machine or the transporter when loading or unloading the machine.
- Use only the loading ramps with sufficient strength (to withstand the combined weight of the machine and the operator), width (more than 2 times the width of the track), and length (more than 4 times the height of the loading deck of the transporter), and have anti-slip ramp surfaces.
- Secure the hooks of the loading ramps firmly and flush with the loading deck of the transporter.
- Do not ride on the step when loading or unloading the machine on the transporter. Always load or unload in the walk-behind mode.
- Move slowly forward when loading onto, and move slowly backward when unloading off of the transporter. Pay special care when going over the joint between the loading deck and the ramps; the machine may tip.
- Do not turn on the loading ramps. The machine may fall.
- Tie down the machine securely. Make sure the machine does not move around on the loading deck.



1. Park the transporter on a level ground. Secure the wheels with chocks.
2. Place the loading ramps. Secure the hooks of the ramps firmly and flush with the loading deck of the transporter.
3. Drive the machine slowly forward onto the loading deck.
4. Park the machine according to the instructions in "**Parking**" (page 24). Secure the machine firmly to the loading deck of the transporter with tie-down belts, rope, or wire.

NOISE LEVEL

Model	Engine		LwA
Type	Type	Speed rpm	
BH41	Mitsubishi GB130	2000 rpm	101 dB (A)

NOISE LEVEL evaluated based on factory standard.

VIBRATION

Model	Engine Rated revolution	Vibration
		Handle lever
BH41	2000 rpm	Below 2.5 m/s ²

VIBRATION evaluated based on factory standard.