

CANYCOM

YAMABIKO

MADE IN JAPAN



We have visited with and discussed the wishes of our customers many times over the years. This machine was designed in response to customer's needs, such as a demand for a bigger machine to increase productivity.



Switch back and forth between face-to-face drivers seats for better visibility. When the operating level is returned to neutral position our auto-braking system is engaged.



Safety starting system prevents vehicle from moving suddenly. Engine will not start if the parking brake is disengaged.

Forwarder Yamabiko BY460S

46PS

Max. payload 3.1t

Diesel Engine

*Chains and wires are optional.



Wired remote control enables efficient logging, loading, and securing of trees by a sole operator.



46 HP engine and hydrostatic transmission with dual speed enables speedy and powerful maneuvering.



Durable wide diameter rollers increase mobility in rough terrain and wet ground in the forest. Horizontal loading deck is built to provide excellent balance and stability to the machine.



Hydraulic side pole easily locks and unlocks with a simple shift of the lever. Hydraulic dumping device has been installed into part of the loading deck to shorten the time it takes to unload.

| | | | | | | |
|--------------|----------------|---|------------|---|---|-------------------|
| 46 PS | 3100 kg |  | HST |  |  | Diesel 45ℓ |
|--------------|----------------|---|------------|---|---|-------------------|

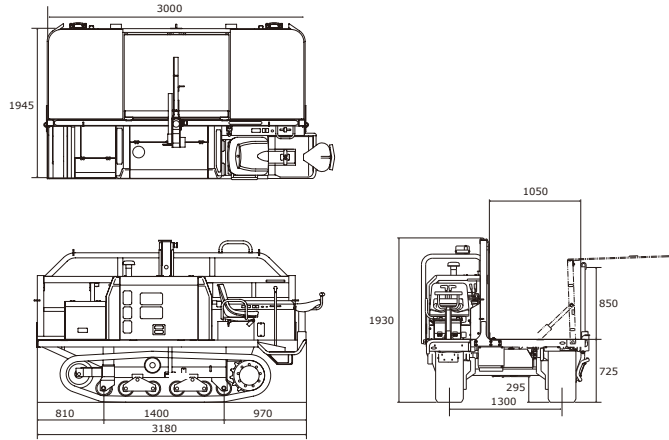
| | | | | | |
|-------------|--------------|----------------|---------------------------|----------------------|--------------|
| Max. Output | Max. Payload | Hydraulic dump | Hydro Static Transmission | Seesaw roller system | Turning seat |
|-------------|--------------|----------------|---------------------------|----------------------|--------------|

Dimensions & Specifications

BY460S



(ex) Log forwarder BY460 with Grapple



| Model | | Forwarder Yamabiko | | |
|--------------------------|---|-------------------------|--------------------------------|----------|
| | | BY460S without winch | BY460S with winch | |
| Machine mass | kg | 2300 | 2450 | |
| Maximum payload capacity | kN(kg) | 30.4(3100) | | |
| Dimension | Overall Length | mm | 3180 | |
| | Overall Width | mm | 1945 | |
| | Overall Height | mm | 1930 | |
| | Ground Contact Length | mm | 1400 | |
| | Crawler Tread | mm | 1300 | |
| | Crawler Width | mm | 320 | |
| | Minimum Ground Clearance | mm | 295 | |
| | Deck Floor Height | mm | 0.26 | 0.28 |
| Model | Kubota V2203 | | | |
| Type | Water Cooled, 4-cycle, 4 In-line, Diesel | | | |
| Cylinder(bore x stroke) | mm | 87×92.4 | | |
| Total Displacement | cm ³ (cc) | 2197 (2197) | | |
| Rated Output | kW(PS)/rpm | 33.8 (46.0) / 2800 | | |
| Starter Type | Electric | | | |
| Travel Performance | Travel Speed | km/h | High | 0 ~ 10.0 |
| | | | Low | 0 ~ 5.5 |
| Minimum Turning Radius | m | 1.7 | | |
| Gradability | Degree | 25 (unloaded) | | |
| Drivetrain | Main Gearshifting Method | Twin HST | | |
| | Steering System | 2 Pumps, 2 Motors | | |
| | Brake Type | Negative Type | | |
| Winch | Drum Speed | Normal | 23.5 m/min | |
| | | Reverse | 23.5 m/min | |
| Hoisting Capacity | kN(kg) | - | - | |
| Roll Length of Wire | m | - | approx.80 with dia.8mm wire | |
| Brake System | - | | | |



MOVIE



Facebook



Monozukuri (the art of manufacturing) is our Enka and Naniwabushi (soul music), and embodies our sense of duty (Giri) and humanity (Ninjou). We bring you our Giri and Ninjou.