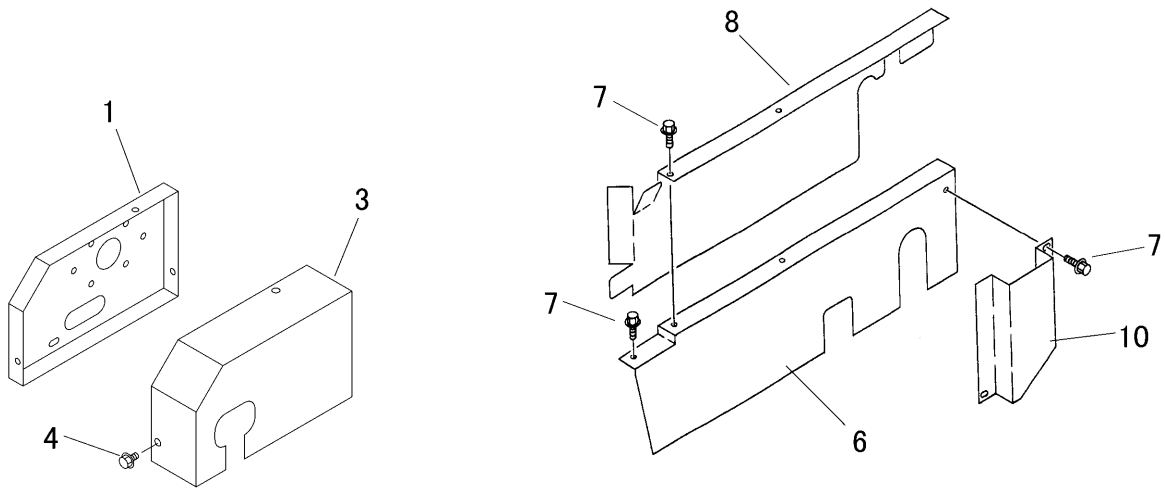


3526 180C ベルトカバー (USA NO.7564851~)  
BELT COVER (EPA EVAP certified)



| 見出  | 部品番号          | 部品名称      |         | 個数   | 型 寸         | 互換性 | 適用号機                    | 備 考     |
|-----|---------------|-----------|---------|------|-------------|-----|-------------------------|---------|
| NO. | PART NO.      | PART NAME |         | Q'ty | DESCRIPTION | R/P | FROM ~ UP TO SERIAL NO. | REMARKS |
| 1   | 3526 1841 000 | ブラケット     | BRACKET | 1    |             |     | - No.7565295            | Robin   |
| 1   | 3526 1841 001 | ブラケット     | BRACKET | 1    |             | D   | No.7565296 -            | Honda   |
| 3   | 3526 1845 000 | カバー       | COVER   | 1    |             |     |                         |         |
| 4   | K110 0108 016 | Fボルト      | BOLT    | 3    | M8*16       |     |                         |         |
| 6   | 3526 1823 001 | カバー       | COVER   | 1    |             |     |                         |         |
| 7   | K700 0106 014 | Fボルト      | BOLT    | 5    | M6*14(7T)   |     |                         |         |
| 8   | 3526 1825 000 | カバー       | COVER   | 1    |             |     |                         |         |
| 10  | 3526 1828 001 | カバー       | COVER   | 1    |             |     |                         |         |
|     |               |           |         |      |             |     |                         |         |
|     |               |           |         |      |             |     |                         |         |
|     |               |           |         |      |             |     |                         |         |
|     |               |           |         |      |             |     |                         |         |
|     |               |           |         |      |             |     |                         |         |
|     |               |           |         |      |             |     |                         |         |
|     |               |           |         |      |             |     |                         |         |
|     |               |           |         |      |             |     |                         |         |
|     |               |           |         |      |             |     |                         |         |
|     |               |           |         |      |             |     |                         |         |
|     |               |           |         |      |             |     |                         |         |
|     |               |           |         |      |             |     |                         |         |
|     |               |           |         |      |             |     |                         |         |
|     |               |           |         |      |             |     |                         |         |
|     |               |           |         |      |             |     |                         |         |
|     |               |           |         |      |             |     |                         |         |