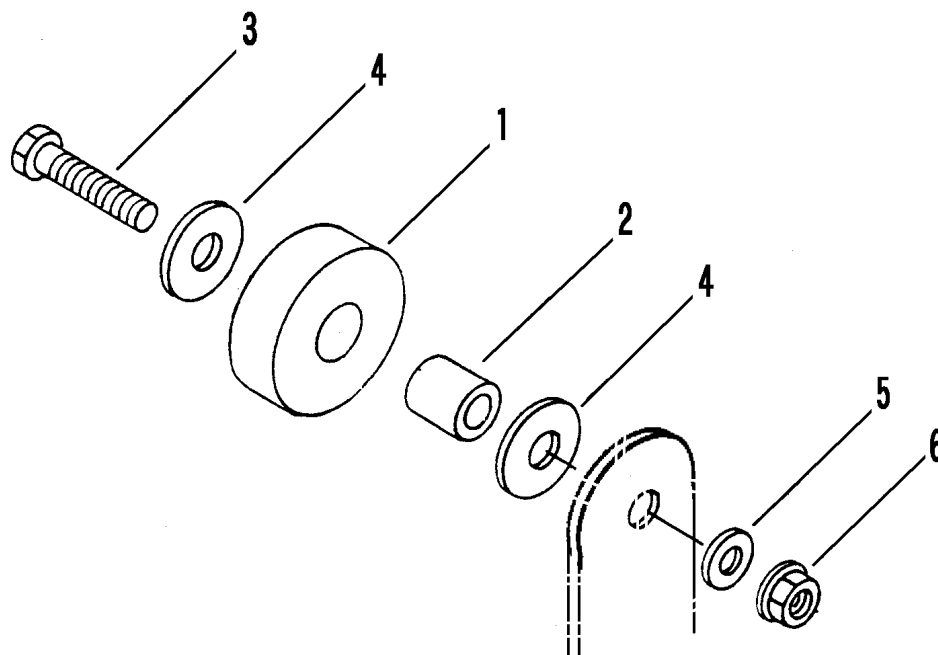


3642 230 シジテンリン UPPER ROLLER (~NO.7050050)



3642 230

| 見出 | 部品番号 | 部品名称 | | 個数 | 型 寸 | 適用号機 | 備 考 |
|-----|---------------|--------|--------------|------|---------------|------------------------|---------|
| NO. | PART NO. | | PART NAME | Q'ty | DESCRIPTION | FROM - UP TO SERIAL NO | REMARKS |
| 1 | 5401 2301 000 | シジテンリン | ROLLER | 4 | | | |
| 2 | 3519 2304 000 | パイプ | PIPE | 4 | | | |
| 3 | A114 0112 055 | ボルト | BOLT | 4 | M12 x 55 | | |
| 4 | 0350 0161 240 | PW | WASHER,PLAIN | 8 | 12 x 40 x 3.2 | | |
| 5 | 0350 0151 222 | PW | WASHER,PLAIN | 4 | 12 x 22 x 2.3 | | |
| 6 | H301 0112 001 | ナット | NUT | 4 | M12 | | |
| | | | | | | | |
| | | | | | | | |
| | | | | | | | |
| | | | | | | | |
| | | | | | | | |
| | | | | | | | |
| | | | | | | | |
| | | | | | | | |
| | | | | | | | |
| | | | | | | | |
| | | | | | | | |
| | | | | | | | |
| | | | | | | | |
| | | | | | | | |
| | | | | | | | |
| | | | | | | | |
| | | | | | | | |
| | | | | | | | |
| | | | | | | | |
| | | | | | | | |
| | | | | | | | |