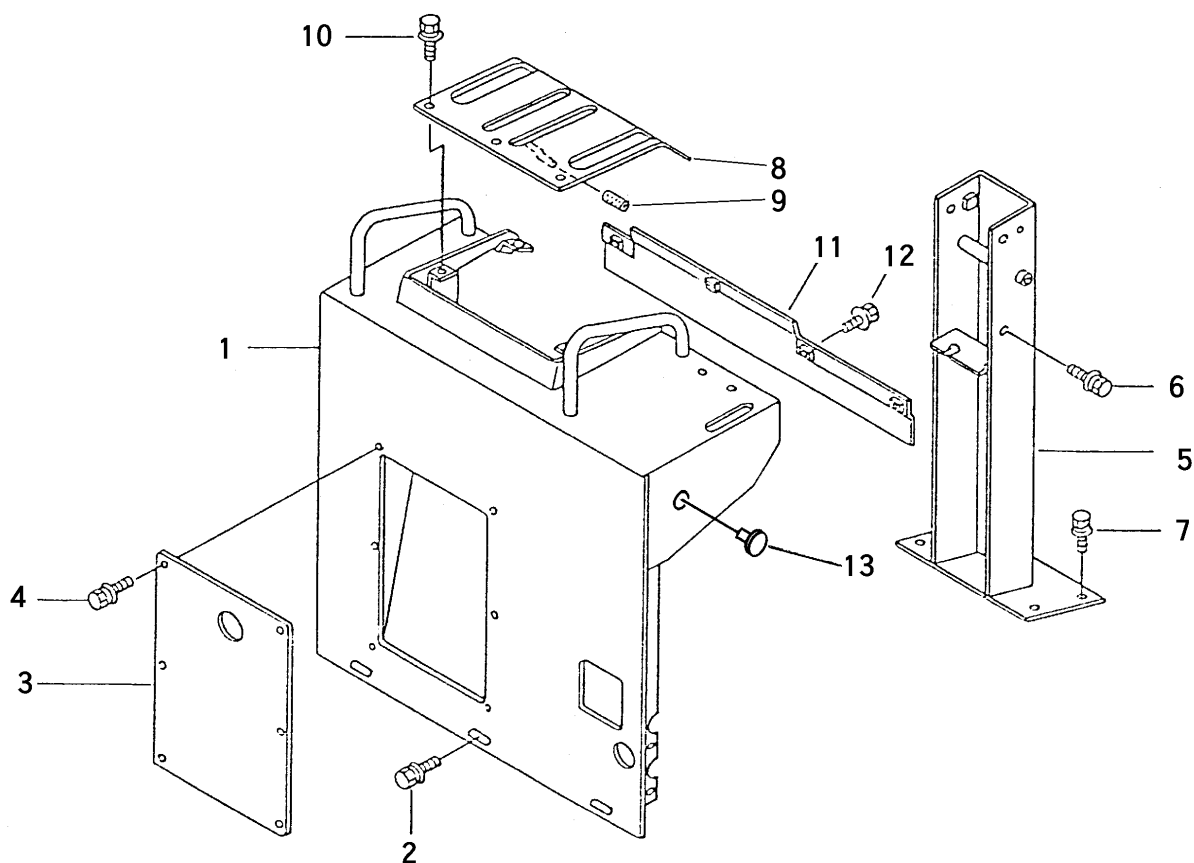


FIG 10 ウンテンセキカバー COVER



| | | |
|---|-----------------|---------------------------|
| A | クボタ(EA8-N)・ミツビシ | KUBOTA (EA8-N) MITSUBISHI |
| B | ロビン (EY40B) | ROBIN (EY40B) |
| C | クボタ(OC95) | KUBOTA (OC95) |

| 見出 NO. | 部品番号 PART NO. | 部品名称 PART NAME | 個数Q'ty | | | 型 寸 DESCRIPTION | 適用号機 FROM ~ UP TO SERIAL NO. | 備 考 REMARKS |
|-----------|------------------|--------------------|--------|---|---|--------------------|---------------------------------|----------------|
| | | | A | B | C | | | |
| 1 | 3639 1501 000 | ウンテンセキカバー COVER | 1 | 1 | 1 | | | |
| 2 | H174 0108 020 | セムスC BOLT | 7 | 7 | 7 | M8×20 | | |
| 3 | 3634 1431 000 | カバー COVER | 1 | 1 | 1 | | | |
| 4 | H104 0106 016 | セムスB BOLT | 6 | 6 | 6 | M6×16 | | |
| 5 | 3639 1525 000 | サポート SUPPORT | 1 | 1 | 1 | | | |
| 6 | H114 0108 020 | セムスB BOLT | 2 | 2 | 2 | M8×20 | | |
| 7 | H114 0110 025 | セムスB BOLT | 4 | 4 | 4 | M10×25 | | |
| 8 | 3639 1535 000 | ガイドパン PLATE | 1 | | | | | |
| 8 | 3639 1541 000 | ガイドパン PLATE | | 1 | | | | |
| 8 | 3639 1548 000 | ガイドパン PLATE | | | 1 | | | |
| 9 | 3611 1807 000 | ホゴゴム RUBBER | 6 | 6 | 6 | C-6 | | |
| 10 | H242 0106 016 | ナベセムスB SCREW | 5 | 5 | 5 | M6×16 | | |
| 11 | 3639 1545 000 | アンダーカバー COVER | 1 | 1 | 1 | | | |
| 12 | H242 0106 016 | ナベセムスB SCREW | 4 | 4 | 4 | M6×16 | | |
| 13 | 3707 1211 000 | ゴムセン RUBBER | 1 | 1 | 1 | C-9A | | |
| | | | | | | | | |
| | | | | | | | | |
| | | | | | | | | |
| | | | | | | | | |
| | | | | | | | | |
| | | | | | | | | |
| | | | | | | | | |
| | | | | | | | | |
| | | | | | | | | |
| | | | | | | | | |
| | | | | | | | | |
| | | | | | | | | |
| | | | | | | | | |
| | | | | | | | | |