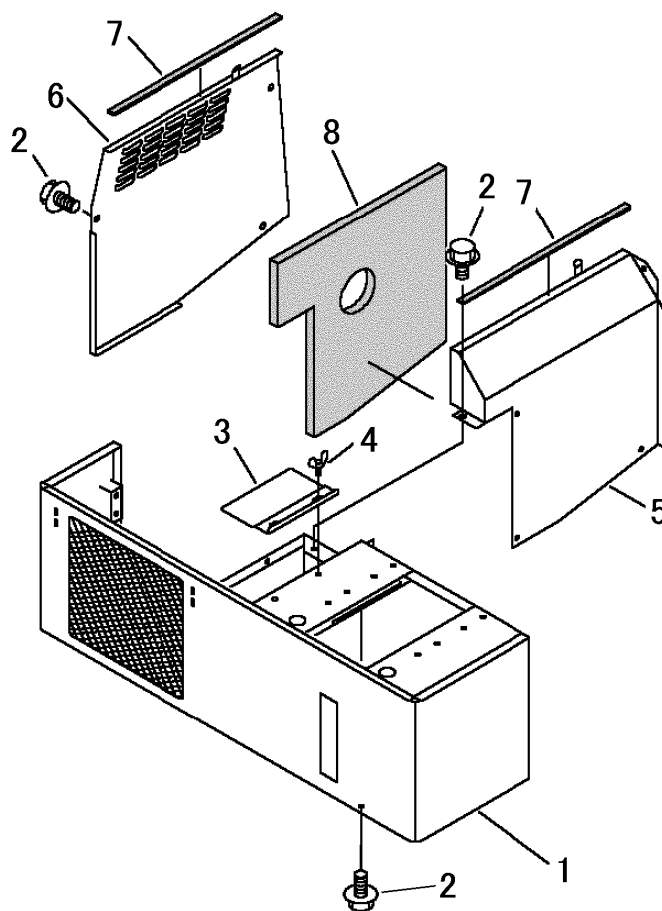


3668 140B カバークミタテ (U.S.A.仕様)  
COVER EQUIPMENT (U.S.A. Specs)



| 見出<br>NO. | 部品番号<br>PART NO. | 部品名称   | PART NAME | 個数<br>Q'ty | 型 寸<br>DESCRIPTION | 適用号機<br>FROM ~ UP TO SERIAL NO. | 備 考<br>REMARKS |
|-----------|------------------|--------|-----------|------------|--------------------|---------------------------------|----------------|
| 1         | 3668 1411 001    | カバ-    | COVER     | 1          |                    |                                 |                |
| 2         | K110 0108 016    | Fボルト   | BOLT      | 15         | M8 × 16 (4T)       |                                 |                |
| 3         | 3667 1433 000    | プレート   | PLATE     | 1          |                    |                                 |                |
| 4         | A140 0600 820    | チョウボルト | BOLT      | 2          | M8 × 20            |                                 |                |
| 5         | 3667 1435 000    | カバ-    | COVER     | 1          |                    |                                 |                |
| 6         | 3667 1441 000    | ブラケット  | BRACKET   | 1          |                    |                                 |                |
| 7         | 3667 1445 000    | CRスポンジ | SPONGE    | 2          |                    |                                 |                |
| 8         | 3667 1446 000    | エバ-ライト | SPONGE    | 1          |                    |                                 |                |
|           |                  |        |           |            |                    |                                 |                |
|           |                  |        |           |            |                    |                                 |                |
|           |                  |        |           |            |                    |                                 |                |
|           |                  |        |           |            |                    |                                 |                |
|           |                  |        |           |            |                    |                                 |                |
|           |                  |        |           |            |                    |                                 |                |
|           |                  |        |           |            |                    |                                 |                |
|           |                  |        |           |            |                    |                                 |                |
|           |                  |        |           |            |                    |                                 |                |
|           |                  |        |           |            |                    |                                 |                |
|           |                  |        |           |            |                    |                                 |                |
|           |                  |        |           |            |                    |                                 |                |
|           |                  |        |           |            |                    |                                 |                |
|           |                  |        |           |            |                    |                                 |                |
|           |                  |        |           |            |                    |                                 |                |
|           |                  |        |           |            |                    |                                 |                |