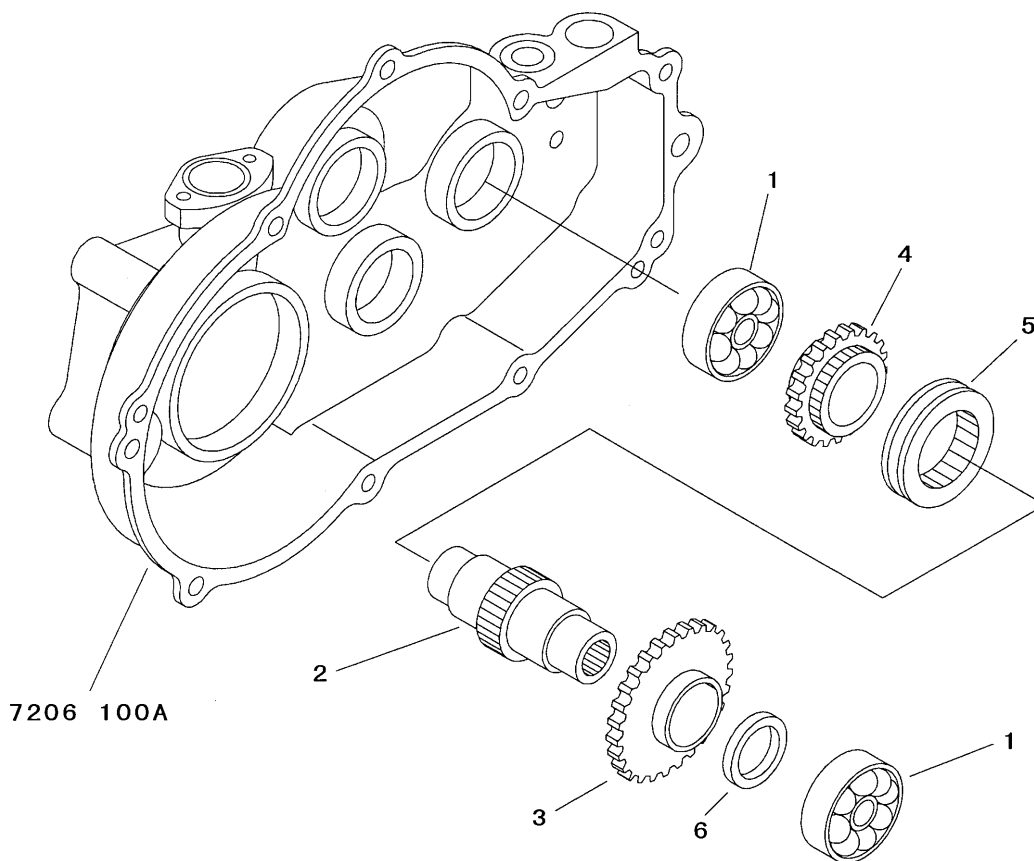


7206 200B ニュウリヨクシク INPUT SHAFT



| 見出 | 部品番号 | 部品名称 | | 個数 | 型 寸 | 互換性 | 適用号機 | 備考 |
|-----|---------------|-------|-----------|------|-------------|-----|-------------------------|---------|
| NO. | PART NO. | | PART NAME | Q'ty | DESCRIPTION | R/P | FROM ~ UP TO SERIAL NO. | REMARKS |
| 1 | 0750 0060 050 | ベアリング | BEARING | 2 | 6005 | | | |
| 2 | 7206 2001 000 | シャフト | SHAFT | 1 | | | | |
| 3 | 7206 2002 000 | ギヤ29 | GEAR 29 | 1 | | | | |
| 4 | 7206 2011 000 | ギヤ21 | GEAR 21 | 1 | | | | |
| 5 | 7206 2005 000 | クラッチ | CLUTCH | 1 | | | | |
| 6 | 7206 2008 000 | カラー | COLLAR | 2 | | | | |
| | | | | | | | | |
| | | | | | | | | |
| | | | | | | | | |
| | | | | | | | | |
| | | | | | | | | |
| | | | | | | | | |
| | | | | | | | | |
| | | | | | | | | |
| | | | | | | | | |
| | | | | | | | | |
| | | | | | | | | |
| | | | | | | | | |
| | | | | | | | | |
| | | | | | | | | |
| | | | | | | | | |
| | | | | | | | | |
| | | | | | | | | |
| | | | | | | | | |
| | | | | | | | | |
| | | | | | | | | |
| | | | | | | | | |
| | | | | | | | | |
| | | | | | | | | |
| | | | | | | | | |
| | | | | | | | | |
| | | | | | | | | |
| | | | | | | | | |
| | | | | | | | | |
| | | | | | | | | |
| | | | | | | | | |
| | | | | | | | | |
| | | | | | | | | |
| | | | | | | | | |
| | | | | | | | | |
| | | | | | | | | |
| | | | | | | | | |
| | | | | | | | | |
| | | | | | | | | |
| | | | | | | | | |
| | | | | | | | | |