

Robin Engine

PARTS CATALOG

MODEL

EH650

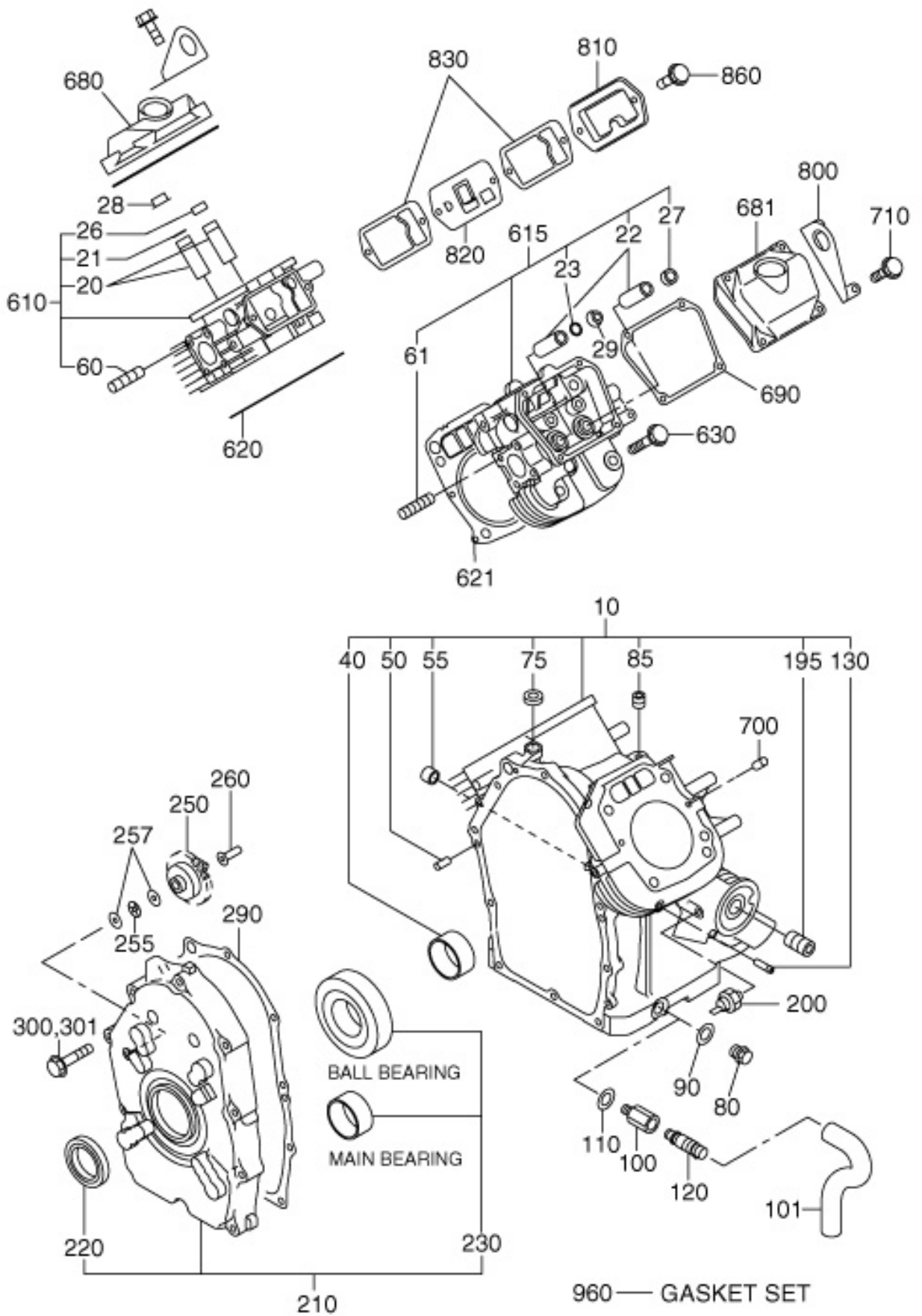
SPEC.NO

EH650DC7110

ご注文の際は部品番号の前に **ZR** をご記入下さい。

富士重工業株式会社
FUJI HEAVY INDUSTRIES LTD.

FIG. 101



1 CRANK CASE GROUP

REF.	PART NUMBER	PART NAME	QTY	R E M A R K S	CODE NO.	INTERCHANGE P/NO.	UNIT P	FIG.
10	263-10111-11	CRANK CASE CP	1		-			101
20	263-14211-03	VALVE GUIDE	2	6DX11DX32. 5L	-			101
21	056-51000-50	CLIP	1	10. 7DX0. 9D	-			101
22	263-14211-03	VALVE GUIDE	2	6DX11DX32. 5L	-			101
23	056-51000-50	CLIP	1	10. 7DX0. 9D	-			101
26	132-11AA1-10	SEAL-INT VALVE	1		-			101
27	132-11AA1-10	SEAL-INT VALVE	1		-			101
28	263-35341-03	RETAINER PLATE	1	11DX17. 3DX27DX4. 7H	-			101
29	263-35341-03	RETAINER PLATE	1	11DX17. 3DX27DX4. 7H	-			101
40	263-15802-03	MAIN BEARING	1	45DX50DX23B W/STOPER	-			101
50	031-00801-10	DOWEL PIN	2	8DX20L	-			101
55	263-55601-03	PIPE	2	11DX8. 8DX8L	-			101
60	010-50802-90	STUD	4	M8X1. 25X30L	-			101
61	010-50802-90	STUD	4	M8X1. 25X30L	-			101
75	044-00800-10	OIL SEAL	1	8DX14DX4B	-			101
80	040-11400-30	PLUG	2	M14X1. 5X20DX12L	-			101
85	235-15421-03	BLIND PLUG	1	PT1/8X8L	-			101
90	021-11400-20	GASKET	2	14. 1DX19DX2. 3T	-			101
100	263-65006-A3	ADAPTER	1		-			101
110	021-11400-20	GASKET	1	14. 1DX19DX2. 3T	-			101
130	159-65401-03	PIPE (PULSE)	1	4DX6DX25L	-			101
195	263-15901-03	UNION	1	3/4X16UNFX30L	-			101
200	263-76102-H1	SWITCH OIL PRESSURE	1		-			101
210	263-11001-51	MAINBEARING COVER CP	1		-			101
220	044-04200-30	OIL SEAL	1	42DX60DX9B	-			101
230	060-04500-10	BALL BEARING	1	45DX100DX25B	-			101
250	263-45003-01	GOVERNOR GEAR CP	1		-			101
255	263-46215-A3	THRUST BEARING	1		-			101
257	263-46214-A3	WASHER	2		-			101
260	277-41901-03	GOVERNOR SLEEVE	1		-			101
290	263-16002-A3	GASKET (M. B COVER)	1	T=0. 5	-			101
300	011-00802-20	FLANGE BOLT	10	M8X1. 25X17DX45L	-			101
610	263-13211-01	CYLINDER HEAD 1 CP	1		-			101
615	263-13311-01	CYLINDER HEAD 2 CP	1		-			101
620	263-15021-31	GASKET 1 (CYL HEAD)	1	T=0. 4	-			101
621	263-15121-21	GASKET 2 (CYL HEAD)	1	T=0. 4	-			101
630	011-01000-70	FLANGE BOLT	8	M10X1. 25X19DX65L	-			101
680	280-15501-A3	ROCKER COVER	1		-			101
681	263-15501-A3	ROCKER COVER	1		-			101
690	263-16101-A3	GASKET (ROCKER COVER)	2	T=0. 4	-			101

FIG. 200

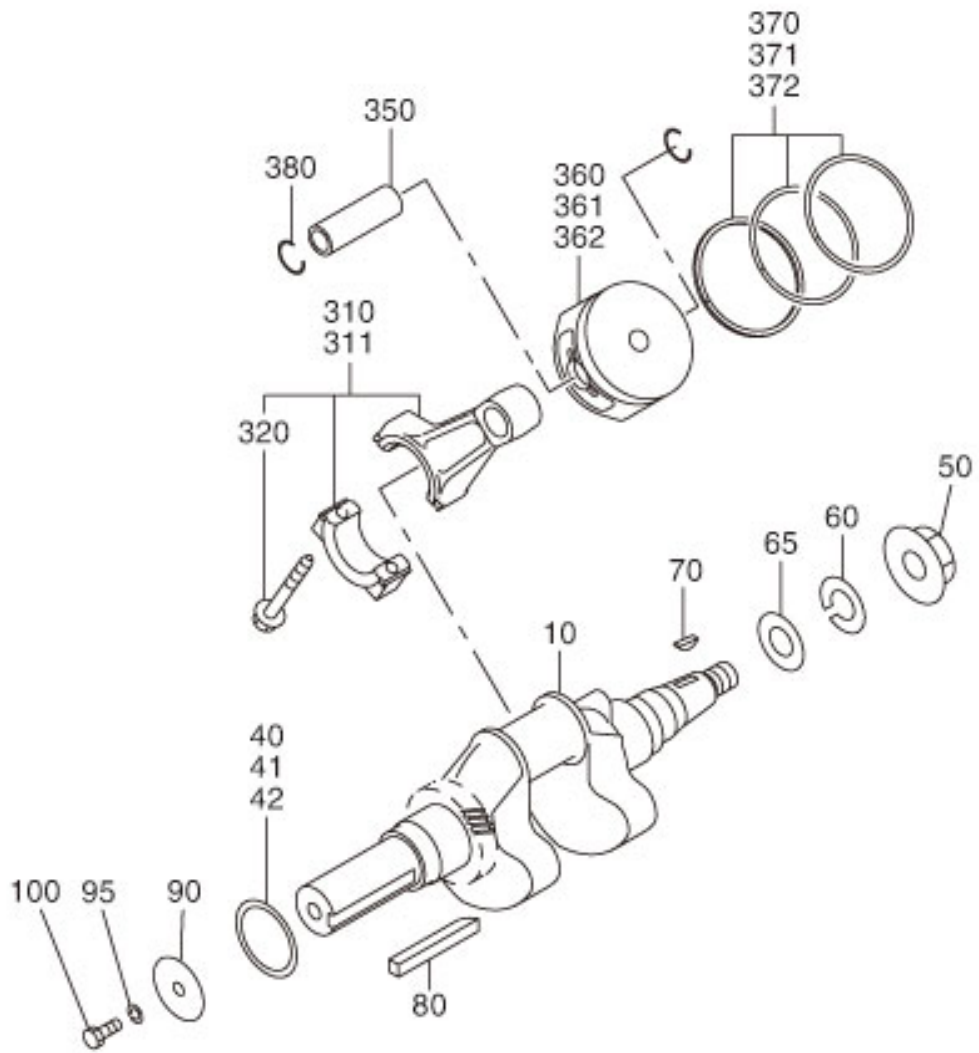


FIG. 301

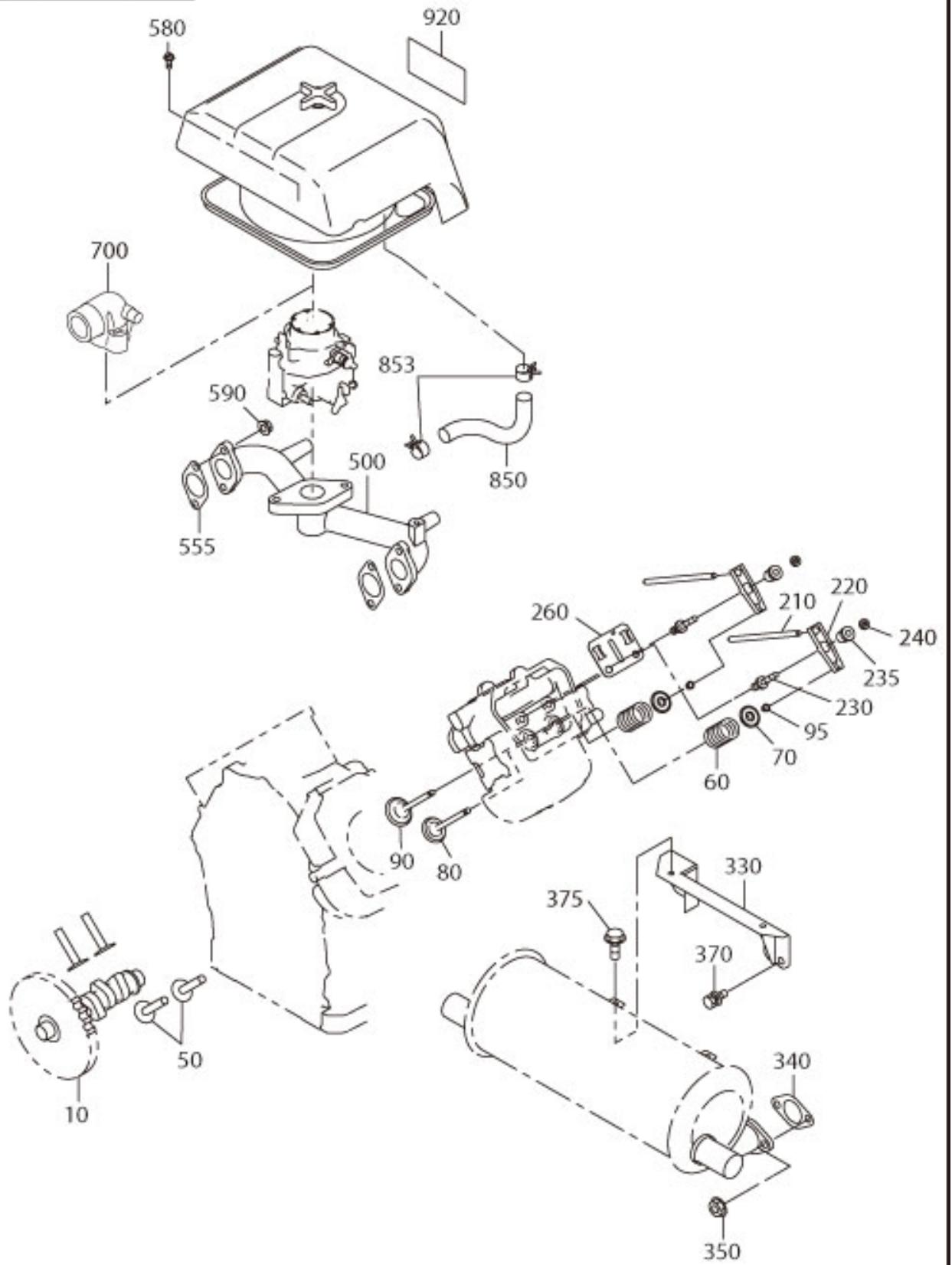


FIG. 315

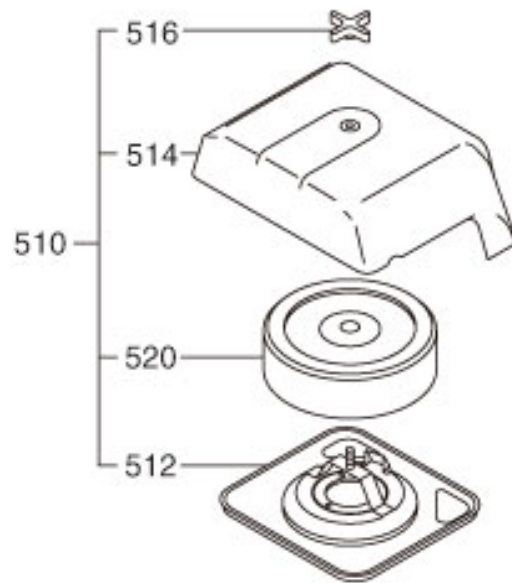


FIG. 330

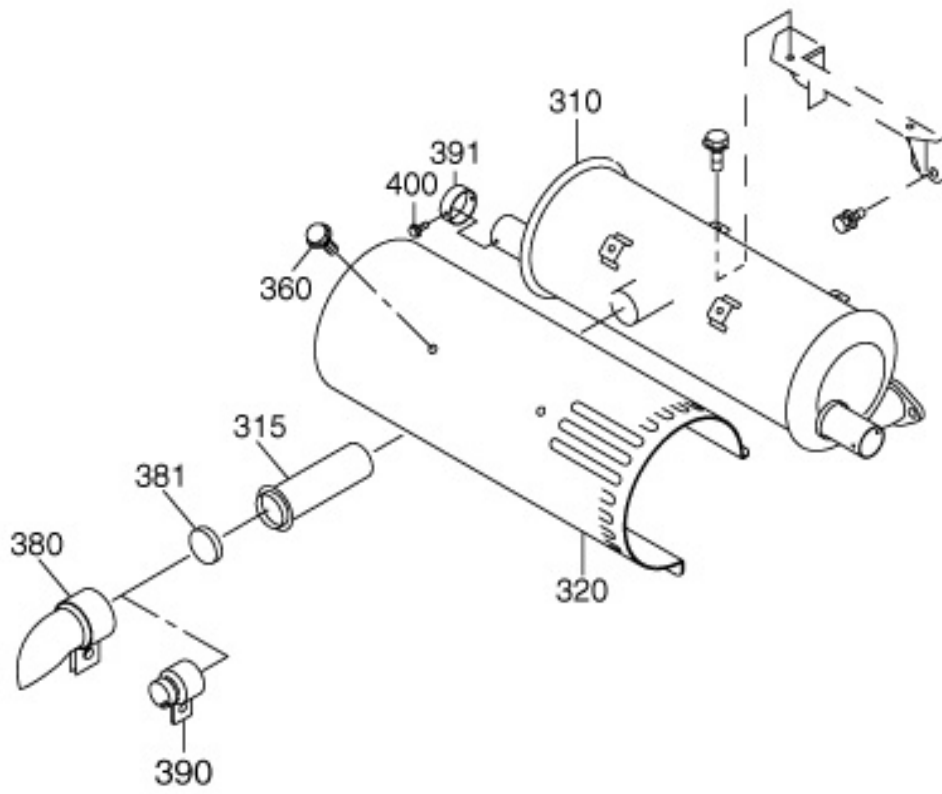


FIG. 400

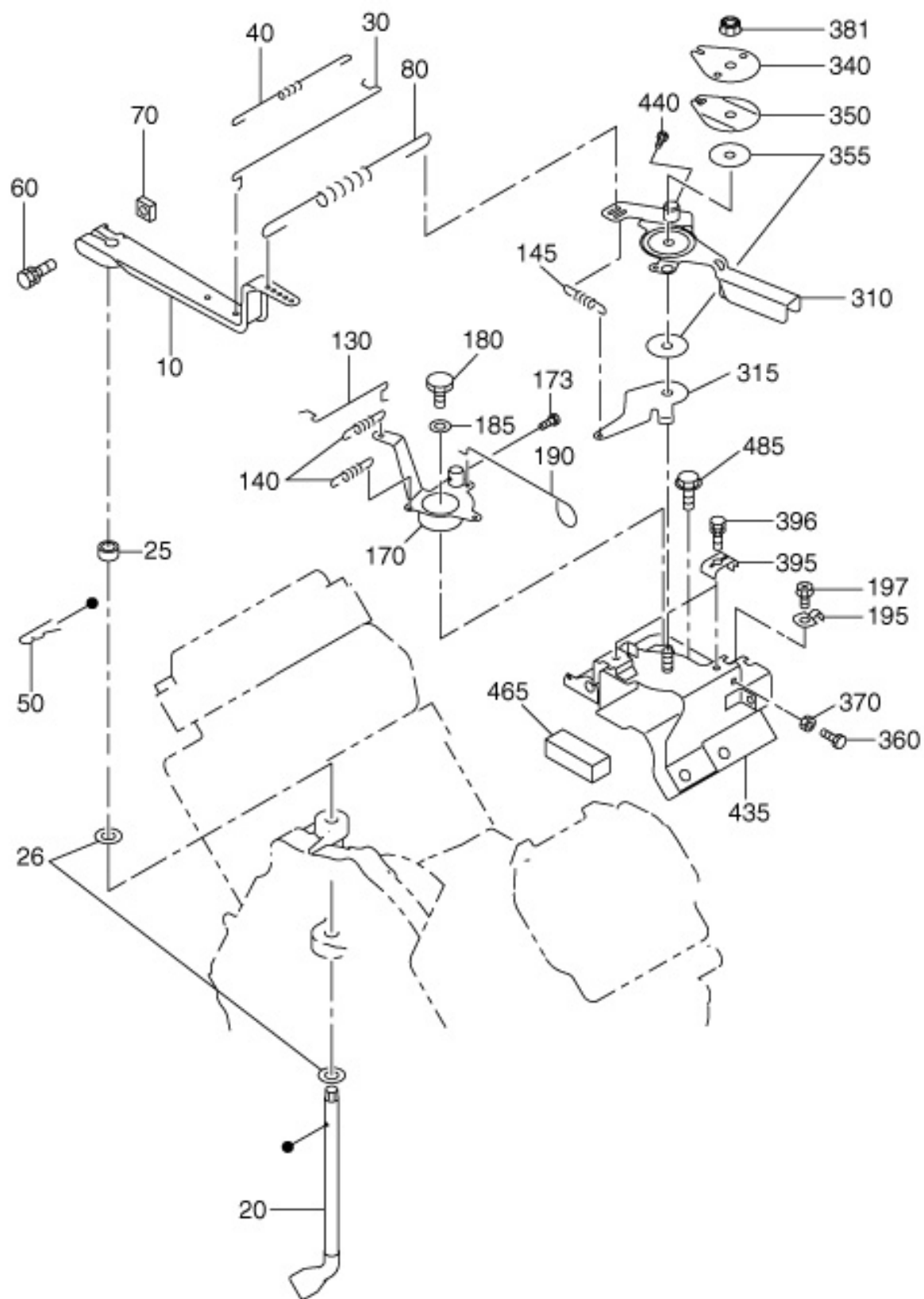


FIG. 500

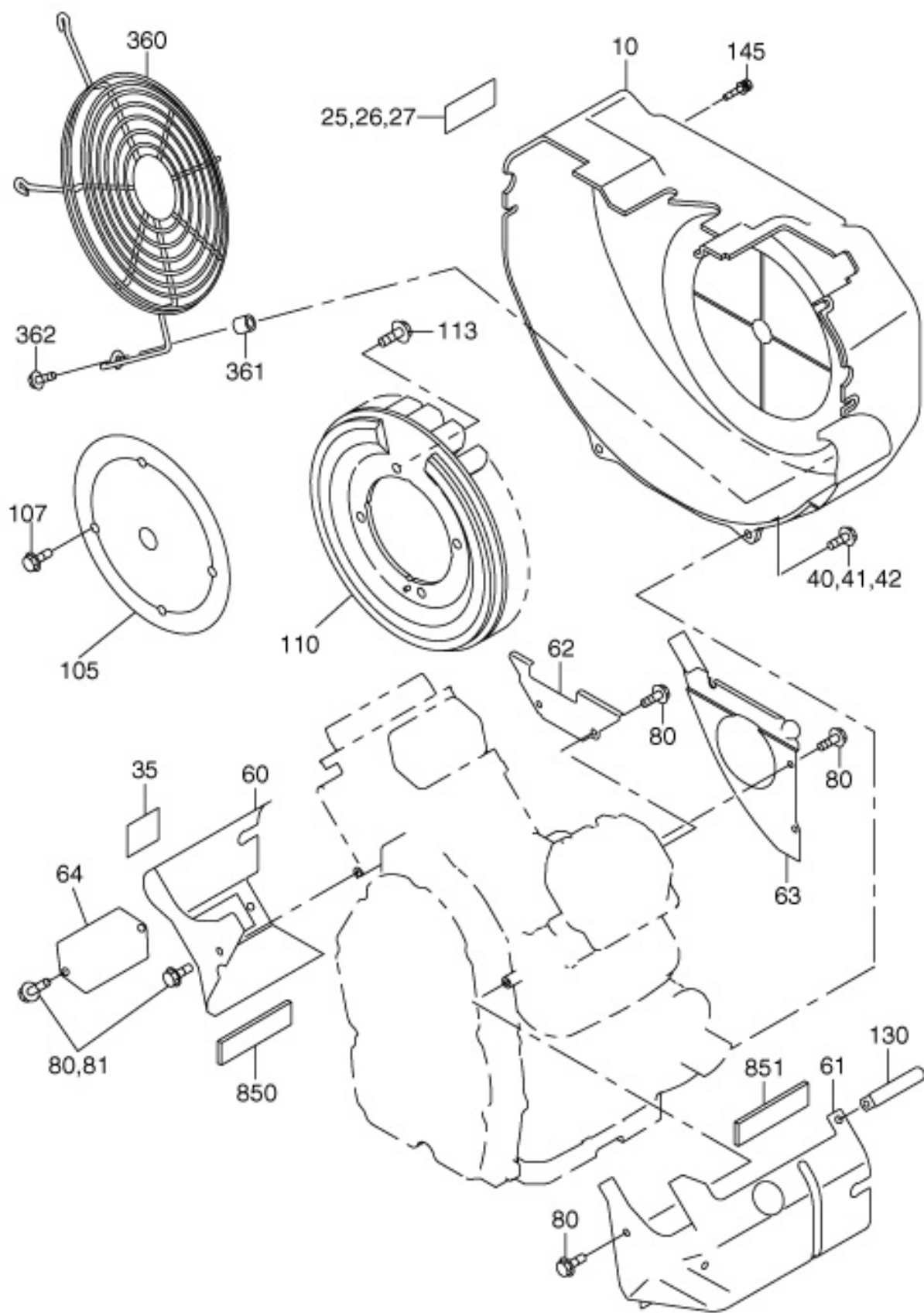


FIG. 600

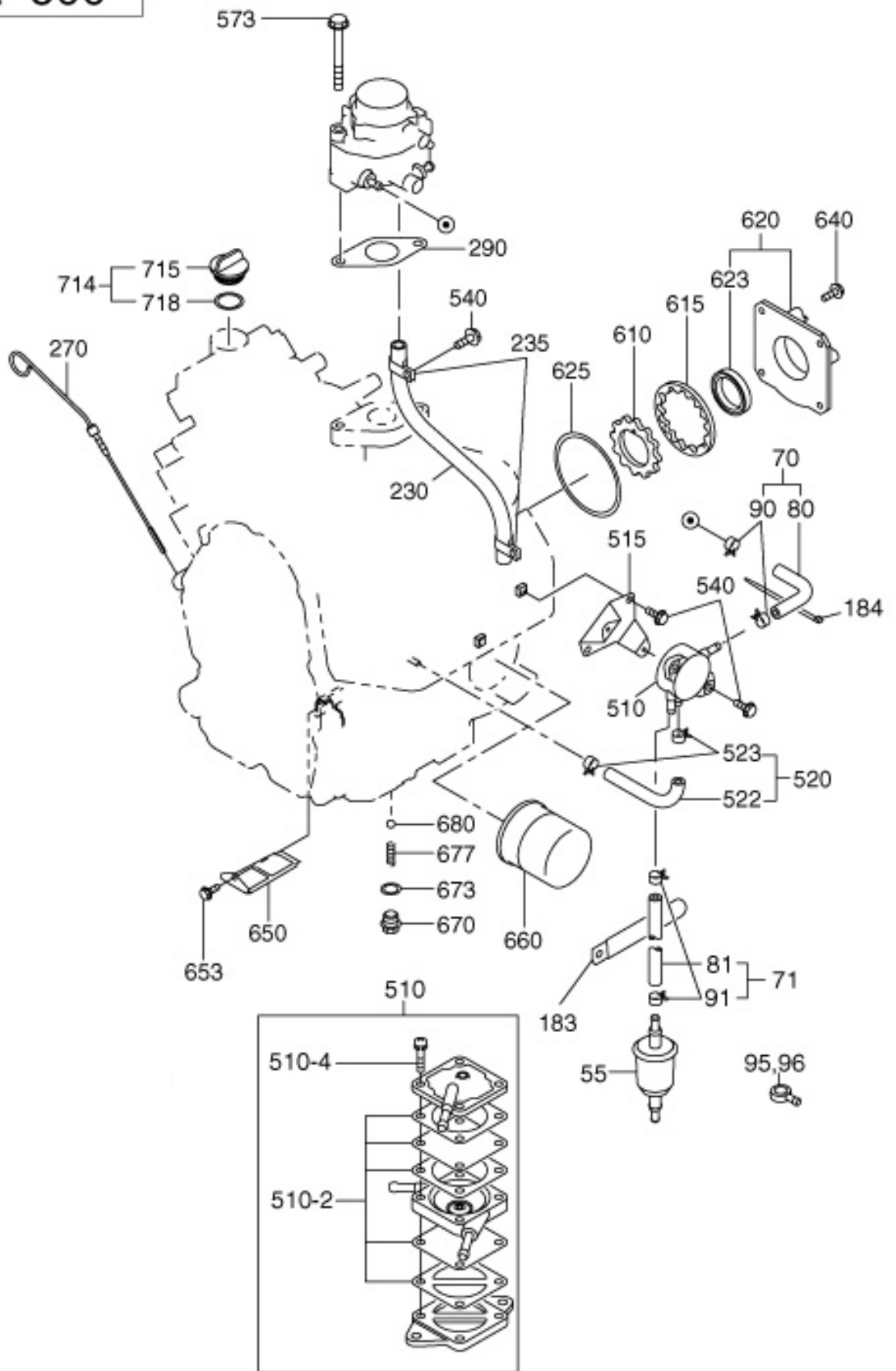
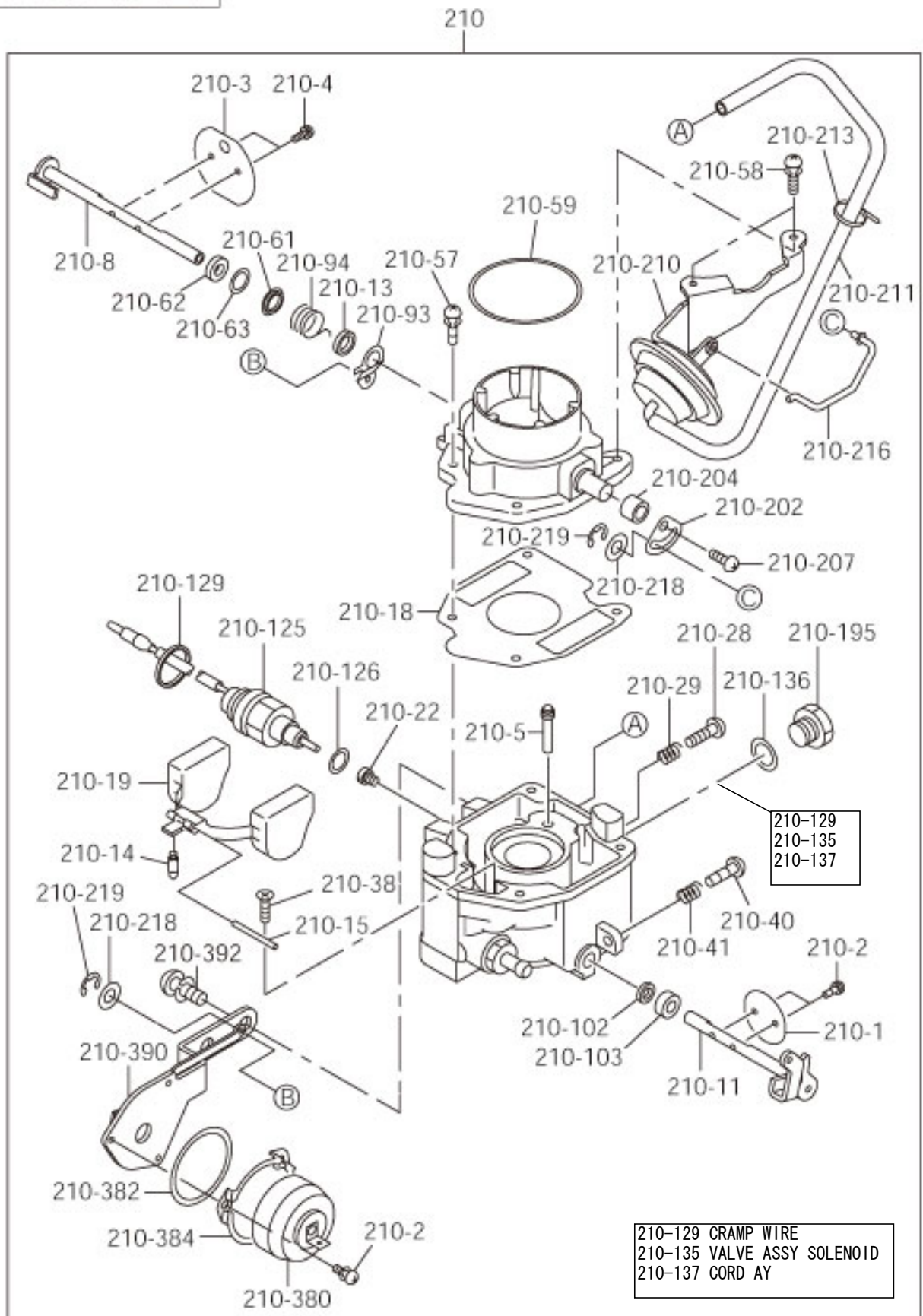


FIG. 642



6 FUEL, LUBRICANT GROUP

REF.	PART NUMBER	PART NAME	QTY	R E M A R K S	CODE NO.	INTERCHANGE P/NO	UNIT P	FIG.
210	263-62394-00	CARBURETOR AY	1		-			642
-1	263-62535-08	VALVE, THROTTLE	1		-			642
-2	261-62352-08	SCREW, VALVE SET	5		-			642
-3	258-62525-08	CHOKE VALVE	1		-			642
-4	258-62555-08	SCREW SET (VALVE)	2		-			642
-5	258-62420-08	JET (SLOW)	1		-			642
-8	263-62523-08	SHAFT ASSY, CHOKE	1		-			642
-11	263-62534-08	SHAFT ASSY, THROTTLE	1		-			642
-13	258-62551-08	RING (CHOKE LEVER)	1		-			642
-14	226-62501-08	VALVE, FLOAT	1		-			642
-15	258-62515-08	FLOAT PIN	1		-			642
-18	280-62545-08	GASKET, AIR HORN	1		-			642
-19	280-62505-08	FLOAT	1		-			642
-22	263-62400-08	JET, MAIN	1		-			642
-28	215-62353-08	SCREW, DRAIN	1		-			642
-29	215-62446-08	SPRING, DRAIN	1		-			642
-38	258-62556-08	SCREW SET (FLOAT PIN)	1		-			642
-40	263-62451-08	SCREW, THRO. ADJUST	1		-			642
-41	258-62445-08	SPRING (ADJUST SCREW)	1		-			642
-57	258-62450-08	SCREW SET (AIR HORN)	2		-			642
-58	263-62584-08	SCREW, OPENER SET	2		-			642
-59	263-62560-08	O-RING, AIR HORN	1		-			642
-61	280-62551-08	COLLAR, CHOKE	1		-			642
-62	258-62554-08	FILTER (CHOKE SHAFT)	1		-			642
-93	263-62527-08	LEVER ASSY, CHOKE	1		-			642
-94	263-62447-08	SPRING, CHOKE	1		-			642
-102	226-62580-08	FILTER, AIR	1		-			642
-103	258-62570-08	COLLAR (THRO. SHAFT)	1		-			642
-125	263-62556-08	VALVE CP, (SOLENOID)	1		-			642
-126	258-62546-08	GASKET, MAIN PASSAGE	1		-			642
-129	258-62566-08	CLAMP (SOLENOID) WIRE	2		-			642
-135	263-62557-08	VALVE ASSY SOLENOID	1		-			642
-136	263-62555-08	GASKET	1		-			642
-137	258-62572-08	CORD AY	1		-			642
-195	263-62552-08	PLUG	1		-			642
-202	263-62506-08	ARM, CHOKE	1		-			642
-204	263-62591-08	FILTER, AIR	1		-			642
-207	161-62345-08	SCREW, LEVER SET	1		-			642
-210	263-62360-08	OPENER AY, CHOKE	1		-			642
-211	263-62566-08	PIPE, RUBBER	1		-			642

FIG. 700

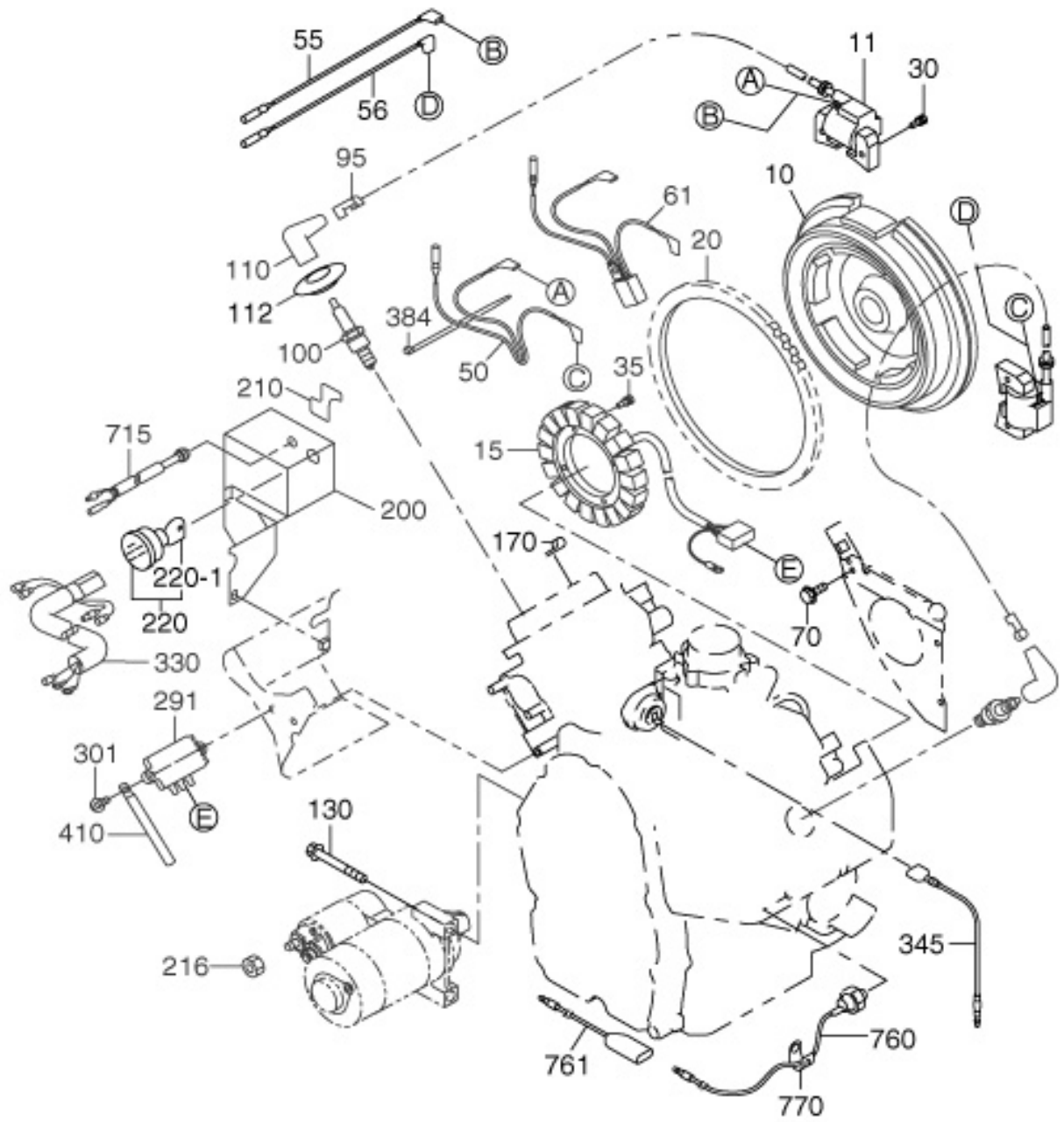


FIG. 731

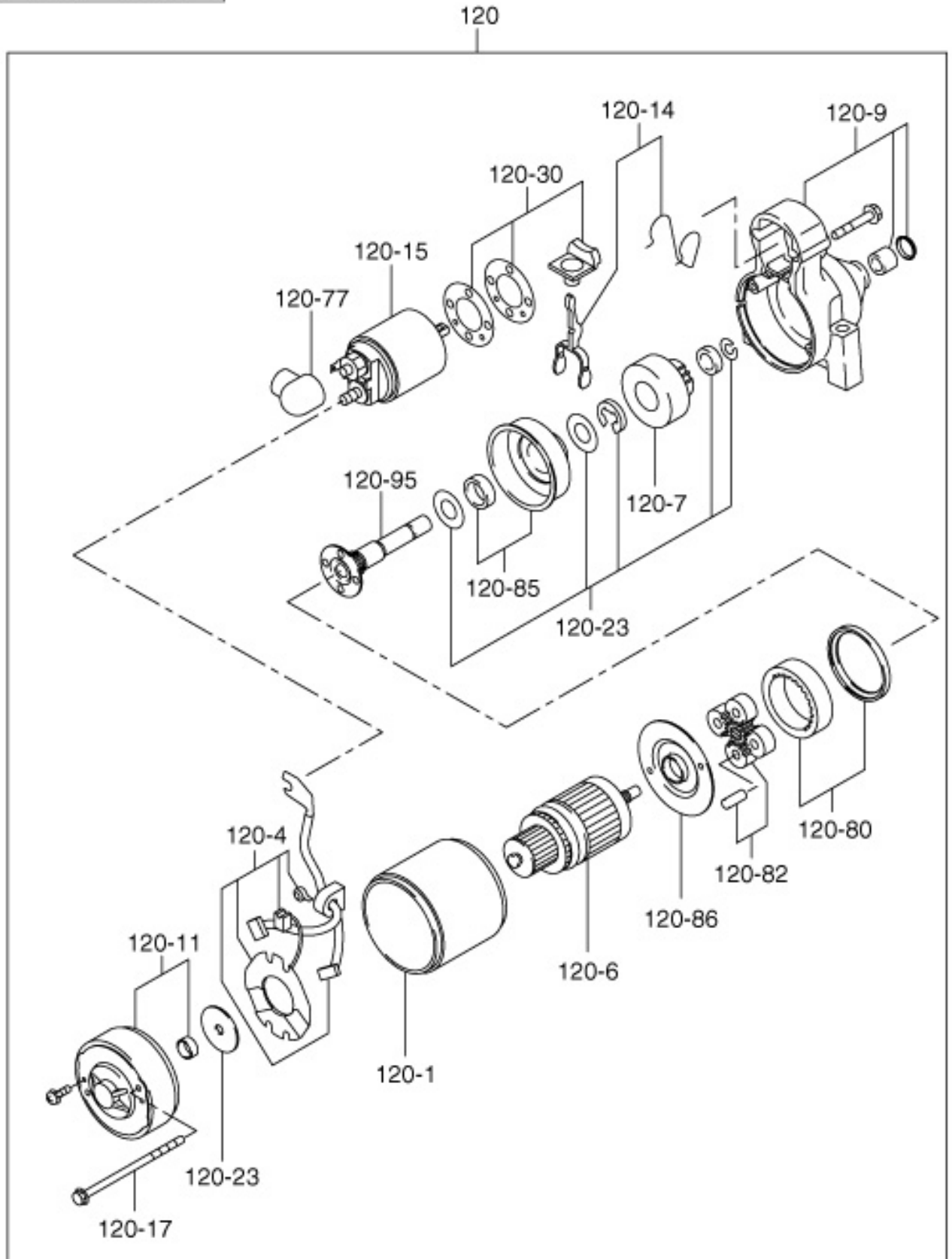


FIG. 900

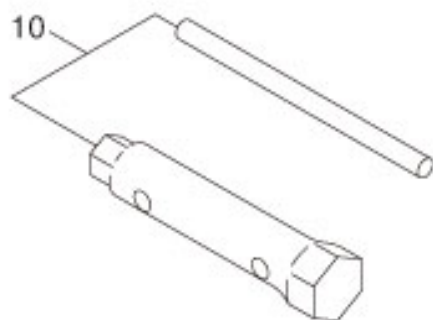


FIG. 1000

(Illustrations are excluded.)

(**FIG 1000**は単独発送部品につき、
イラストは省略します。)

