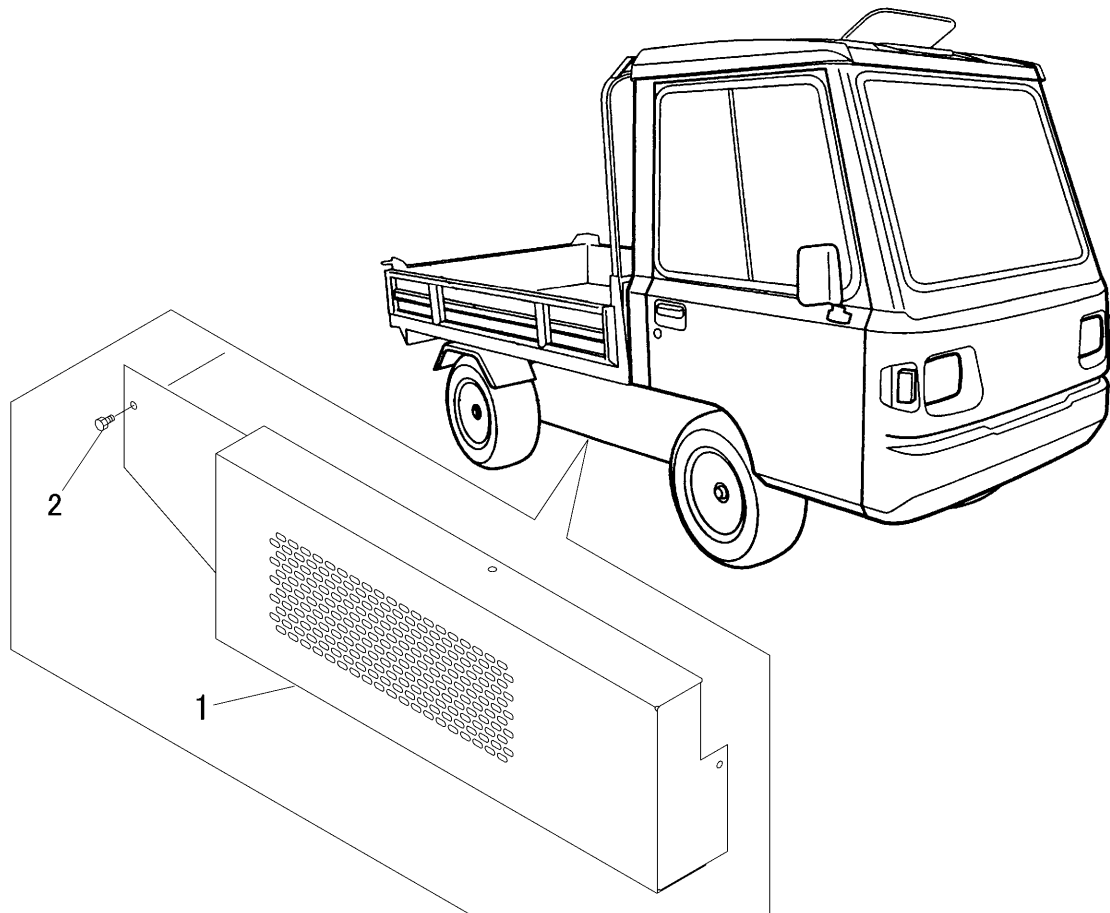


3718 180A ベルトカバークミタテ COVER EQUIPMENT



| 見出 NO. | 部品番号 PART NO. | 部品名称 PART NAME | 個数 Q'ty | 型 寸 DESCRIPTION | 適用号機 FROM ~ UP TO SERIAL NO. | 備 考 REMARKS |
|-----------|------------------|-------------------|------------|--------------------|---------------------------------|----------------|
| 1 | 3718 1802 000 | カバー | 1 | | | |
| 2 | A110 0108 016 | ボルト | 5 | M8 x 16 | | |
| | | | | | | |
| | | | | | | |
| | | | | | | |
| | | | | | | |
| | | | | | | |
| | | | | | | |
| | | | | | | |
| | | | | | | |
| | | | | | | |
| | | | | | | |
| | | | | | | |
| | | | | | | |
| | | | | | | |
| | | | | | | |
| | | | | | | |
| | | | | | | |
| | | | | | | |
| | | | | | | |
| | | | | | | |
| | | | | | | |
| | | | | | | |
| | | | | | | |
| | | | | | | |
| | | | | | | |